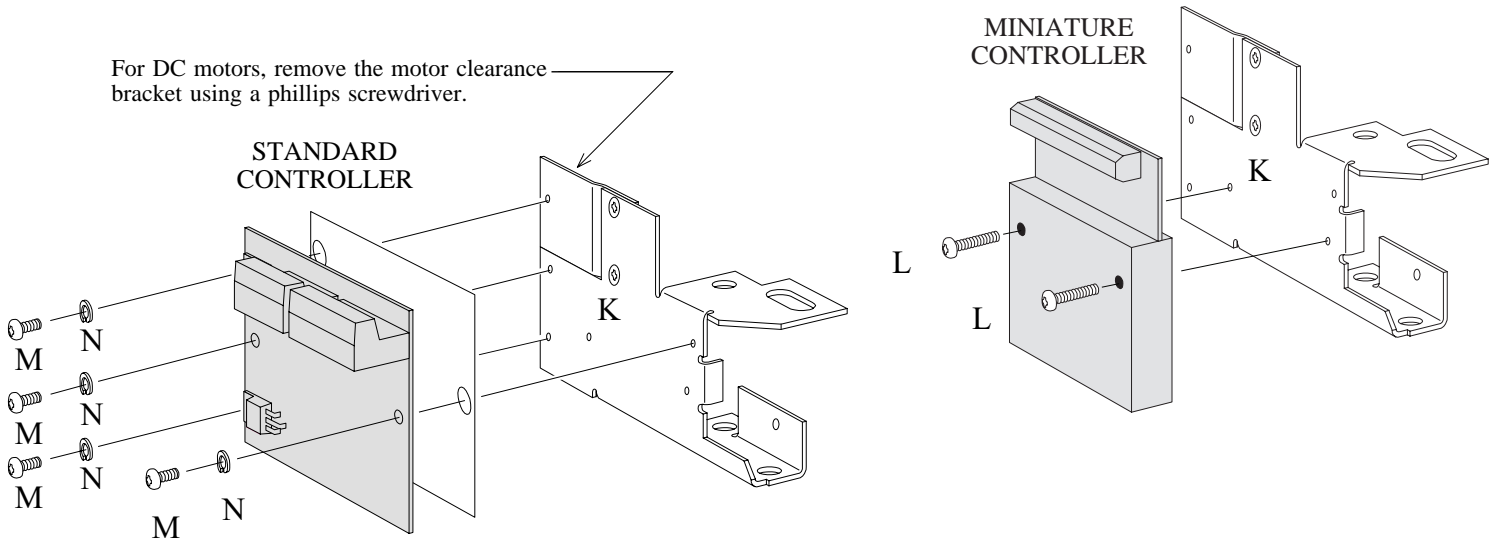
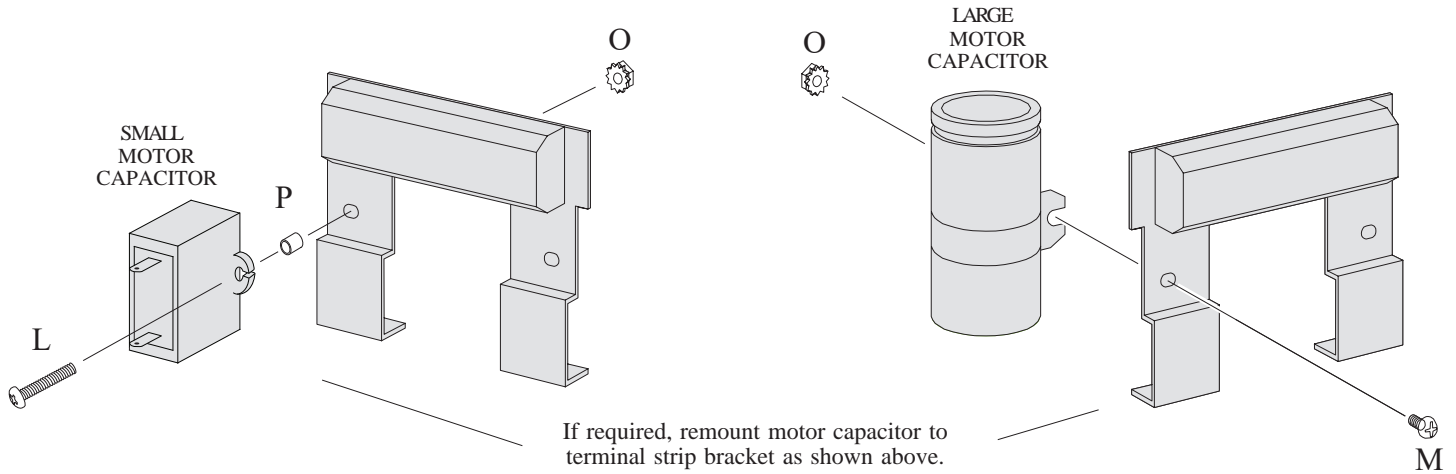


ASSEMBLY DIAGRAM

Noah NA015, 019, 028, 038, 050, 060, 080, 100, 150, 200, 250 Actuators



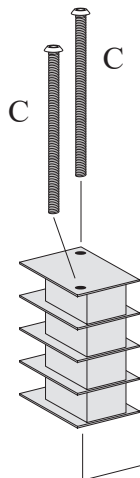
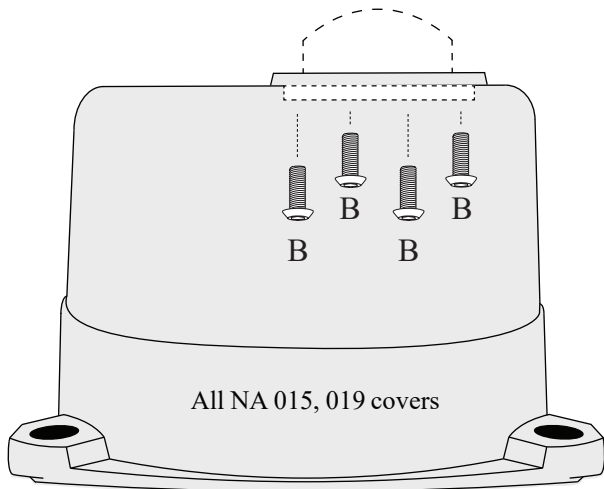
CONTROLLER INSTALLATION

ASSEMBLY DIAGRAM

Noah NA015, 019 Actuators

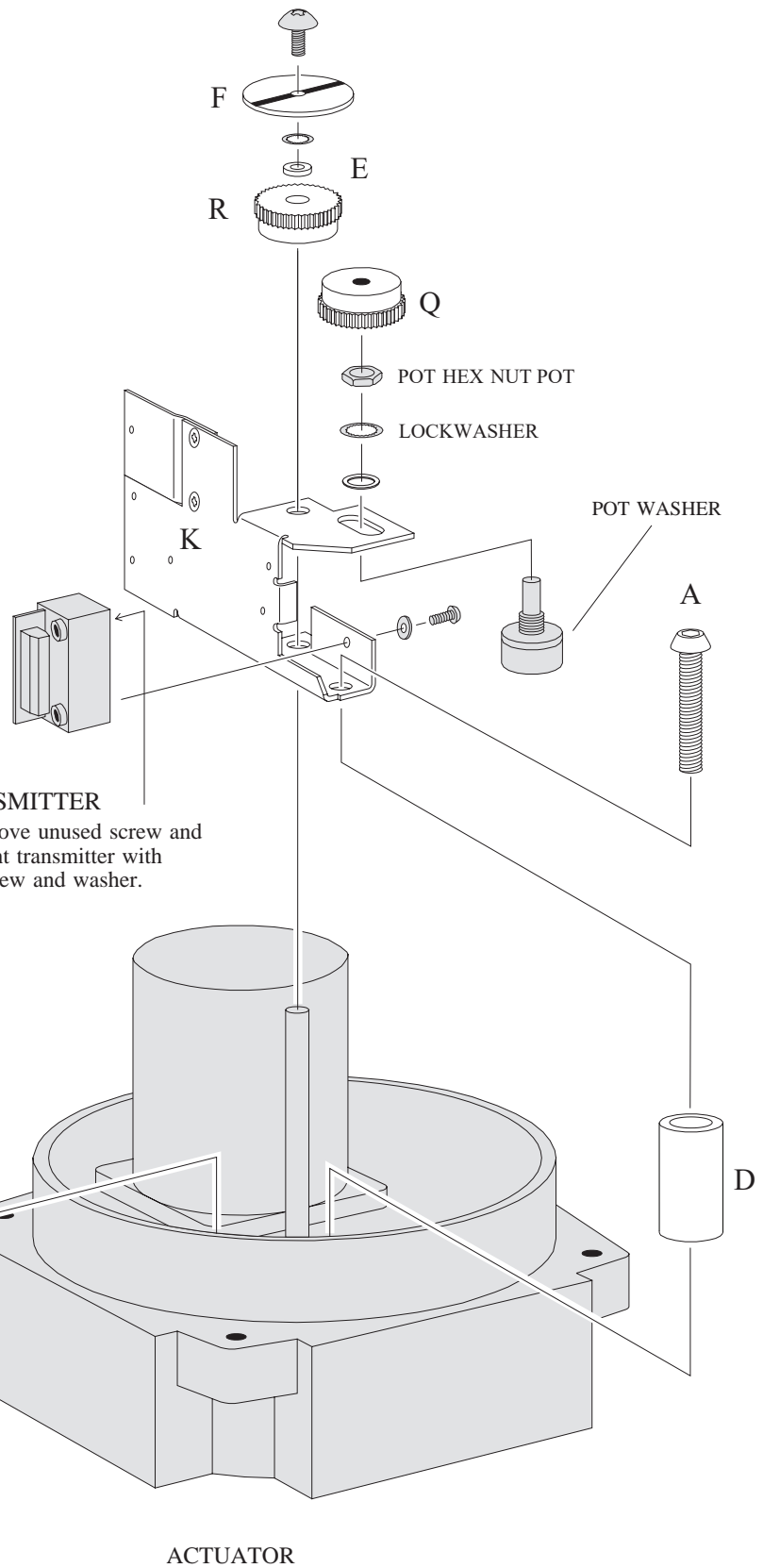
NA-015, 019 COVER PREPARATION

Replace (4) socket head cap screws in cover with (4) button head screws marked "B".



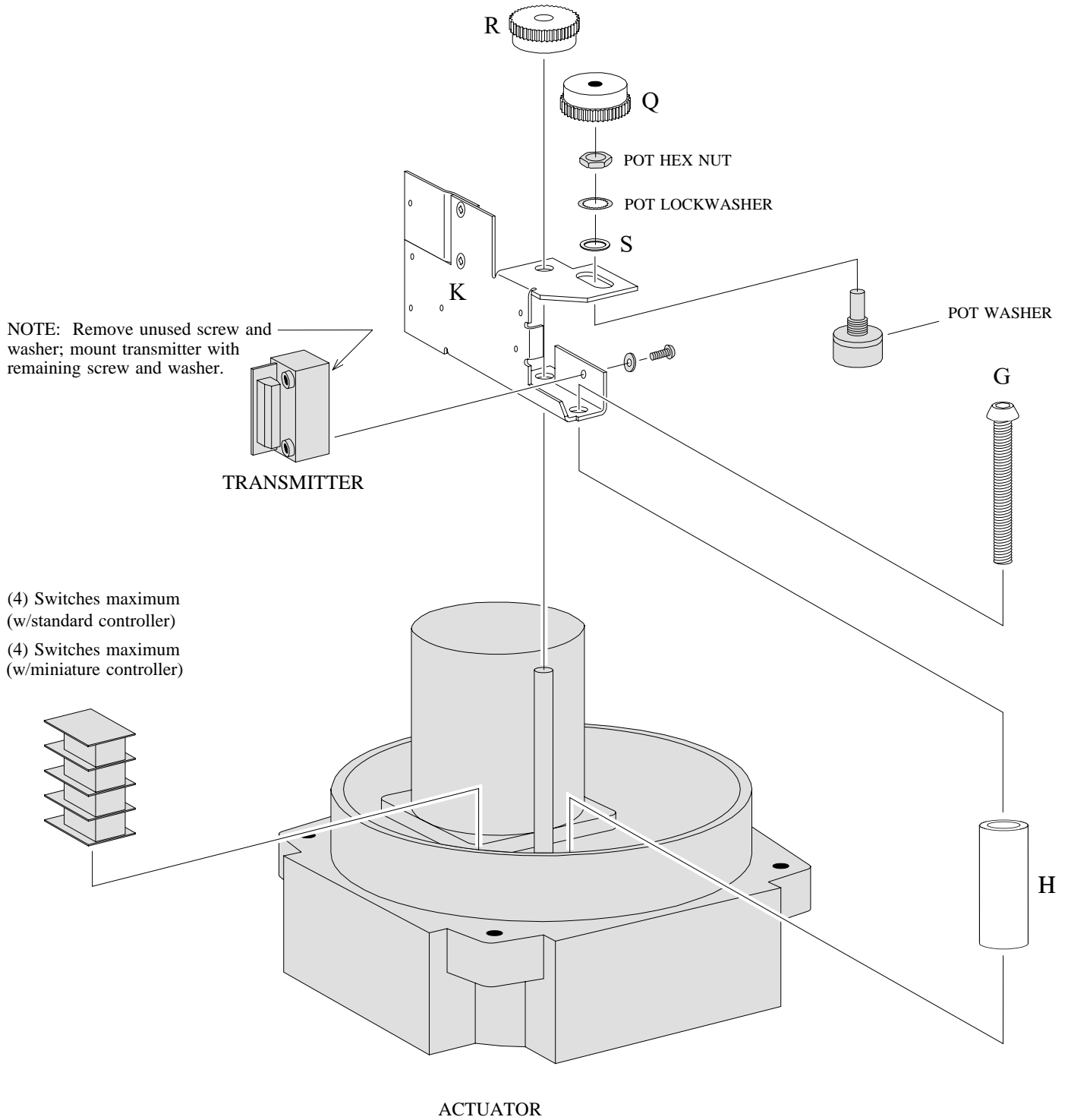
- (4) Switches maximum (w/standard controller)
- (2) Switches maximum (w/minature controller)

With (4) switches, replace existing switch screws on all NA015, 019 actuators with button head type screws marked "C".



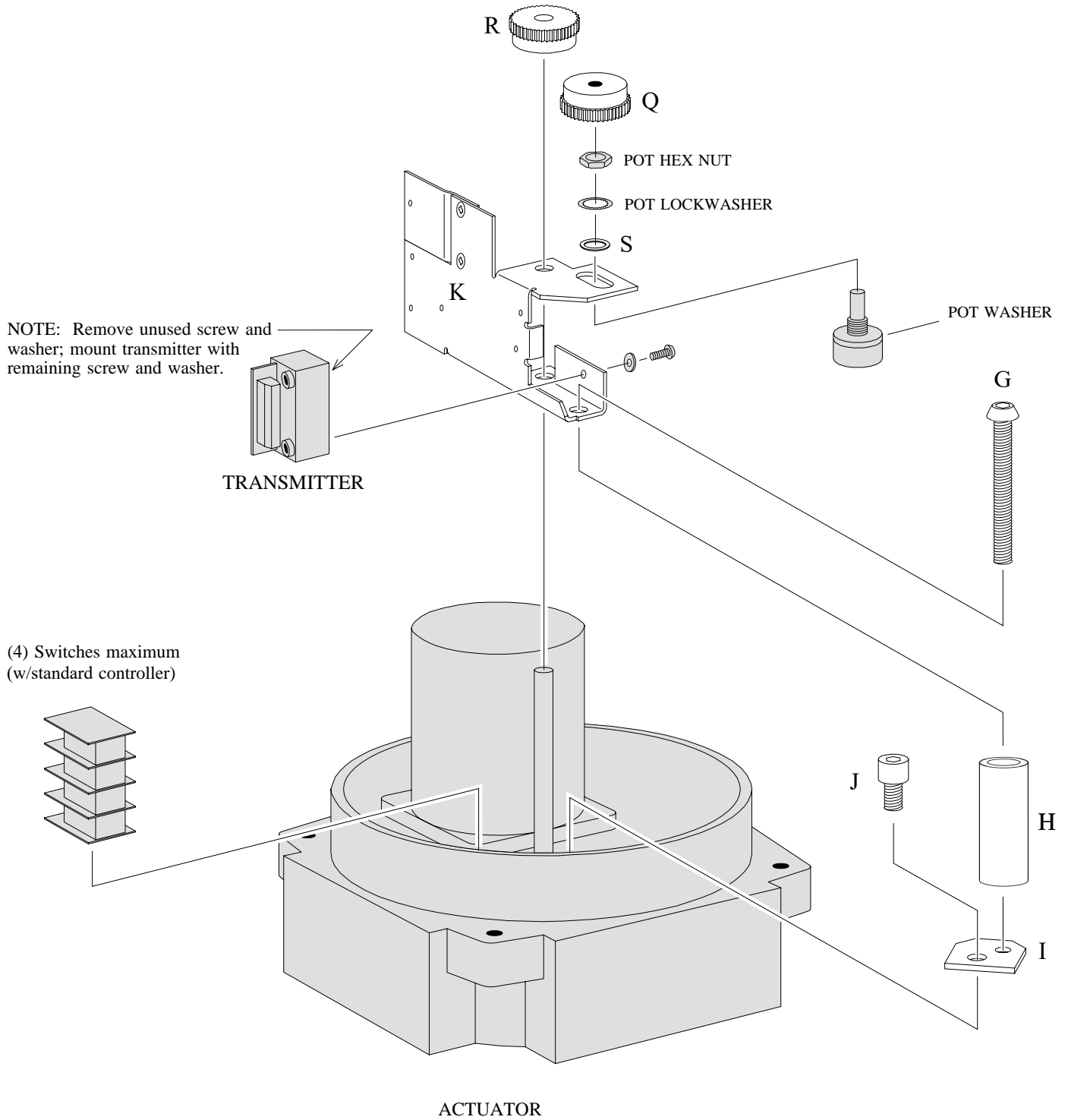
ASSEMBLY DIAGRAM

Noah NA028, 038, 050 Actuators

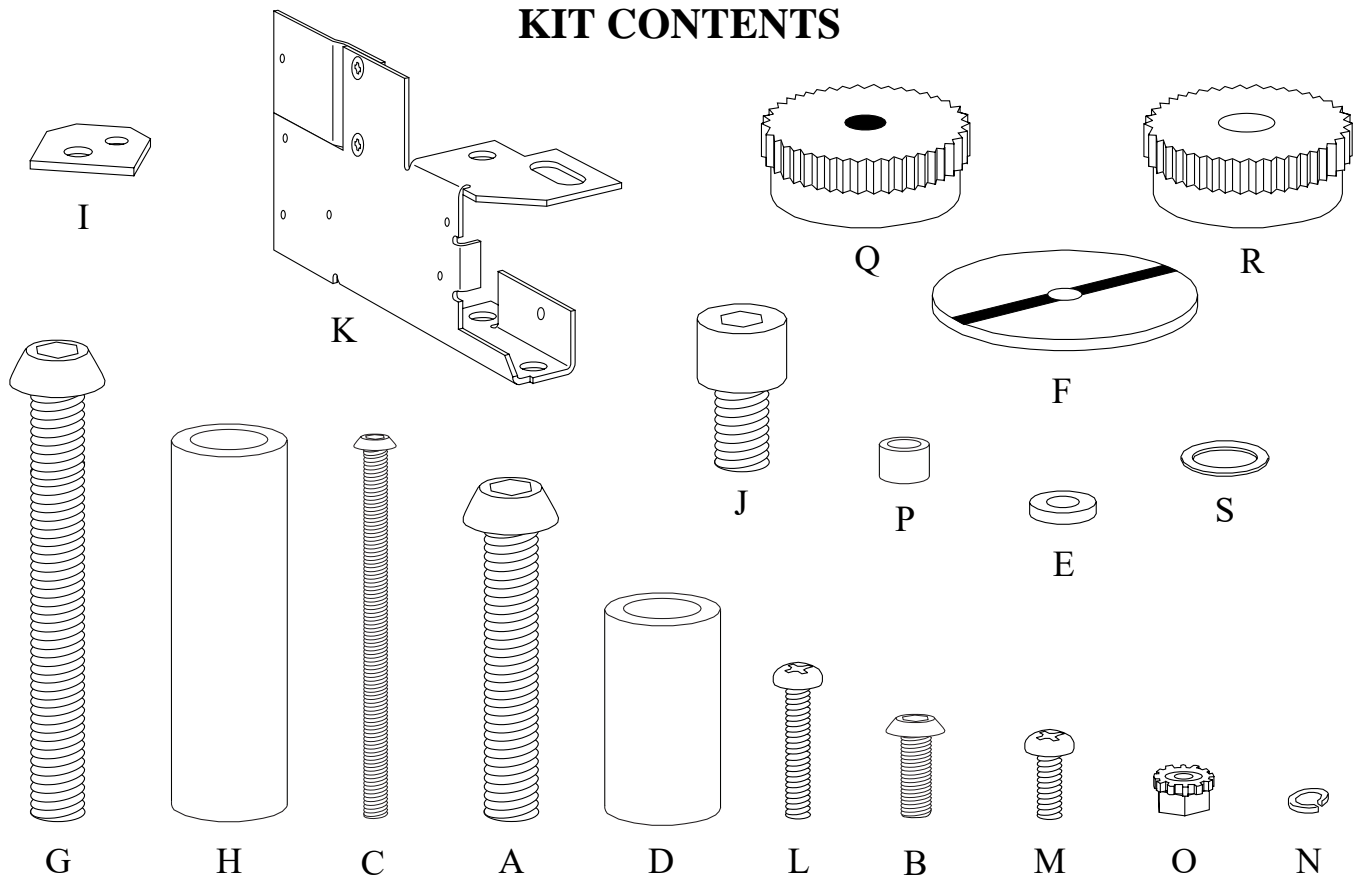


ASSEMBLY DIAGRAM

Noah NA060, 080, 100, 150, 200, 250 Actuators



KIT CONTENTS



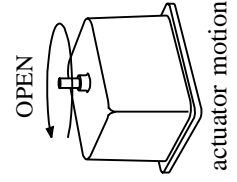
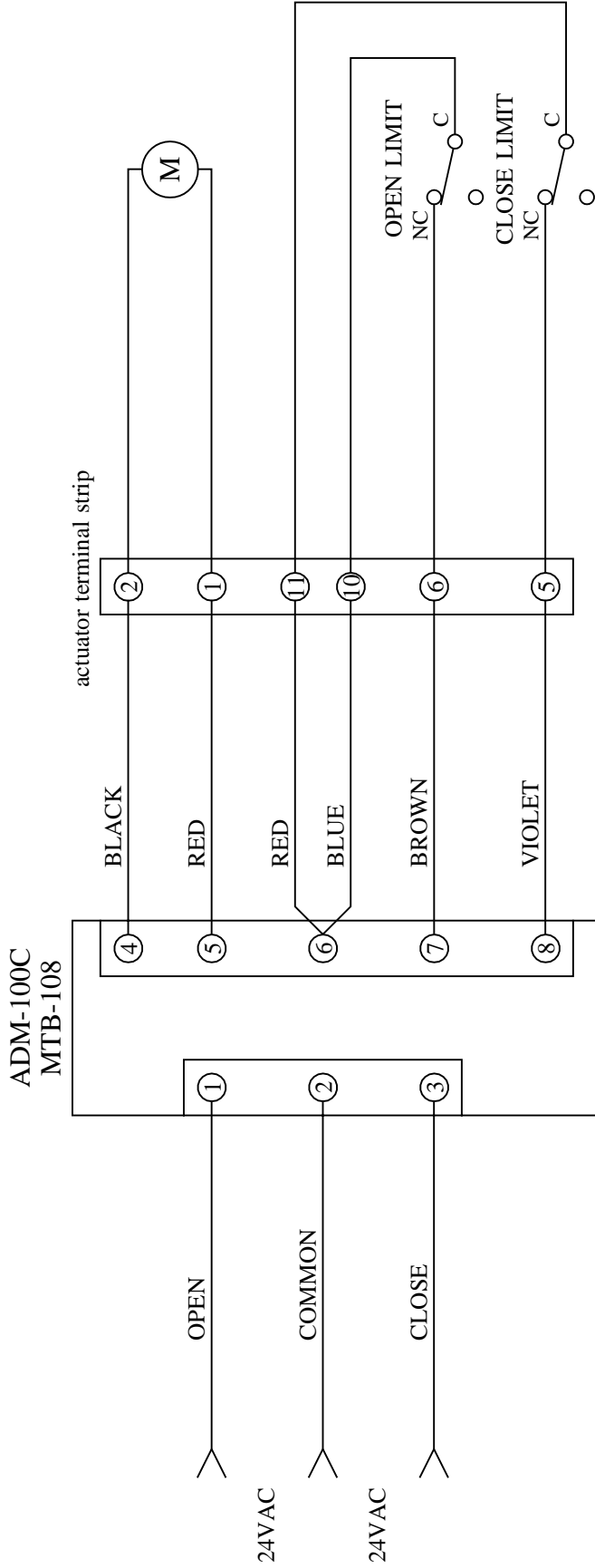
ITEM	QTY	DESCRIPTION
A	1	8mm/1.25mm x 40mm button head cap screw (NA015, 019)
B	4	5mm/0.8mm x 10mm button head cap screw (NA015, 019)
C	2	3mm/0.5mm x 50mm button head cap screw (NA015, 019)
D	1	1.125" CPVC spacer (0.675" O.D.) (NA015, 019)
E	1	#10 nylon washer, 0.062" thick (NA015, 019 NEMA 7)
F	1	1.5" indicator dial (NA015, 019 NEMA 7)
G	1	8mm/1.25mm x 60mm button head cap screw (NA028-NA250)
H	1	1.969" CPVC spacer (0.675" O.D.) (NA028-NA250)
I	1	adaptor plate (NA060-NA250)
J	1	8mm/1.25mm x 12mm socket head cap screw (NA060-NA250)
K	1	actuator bracket w/motor clearance bracket
L	3	#6-32 x 0.75" pan head screw
M	5	#6-32 x 0.375" pan head screw
N	4	#6 split ring lockwasher
O	1	#6-32 keps nut
P	1	#6 x 0.187" nylon spacer
Q	1	potentiometer gear
R	1	output shaft gear
S	1	potentiometer anti-slip washer
not shown	2	16" red wire
not shown	2	16" white wire
not shown	1	16" blue wire
not shown	1	16" black wire
not shown	3	6.3" nylon tie wrap

AC to DC MODULE

WIRING DIAGRAM

Noah NA015, 019, 028 Actuators

The ADM-100C AC to DC Module allows a 24VDC actuator to be controlled like a 24VAC split phase motor actuator.

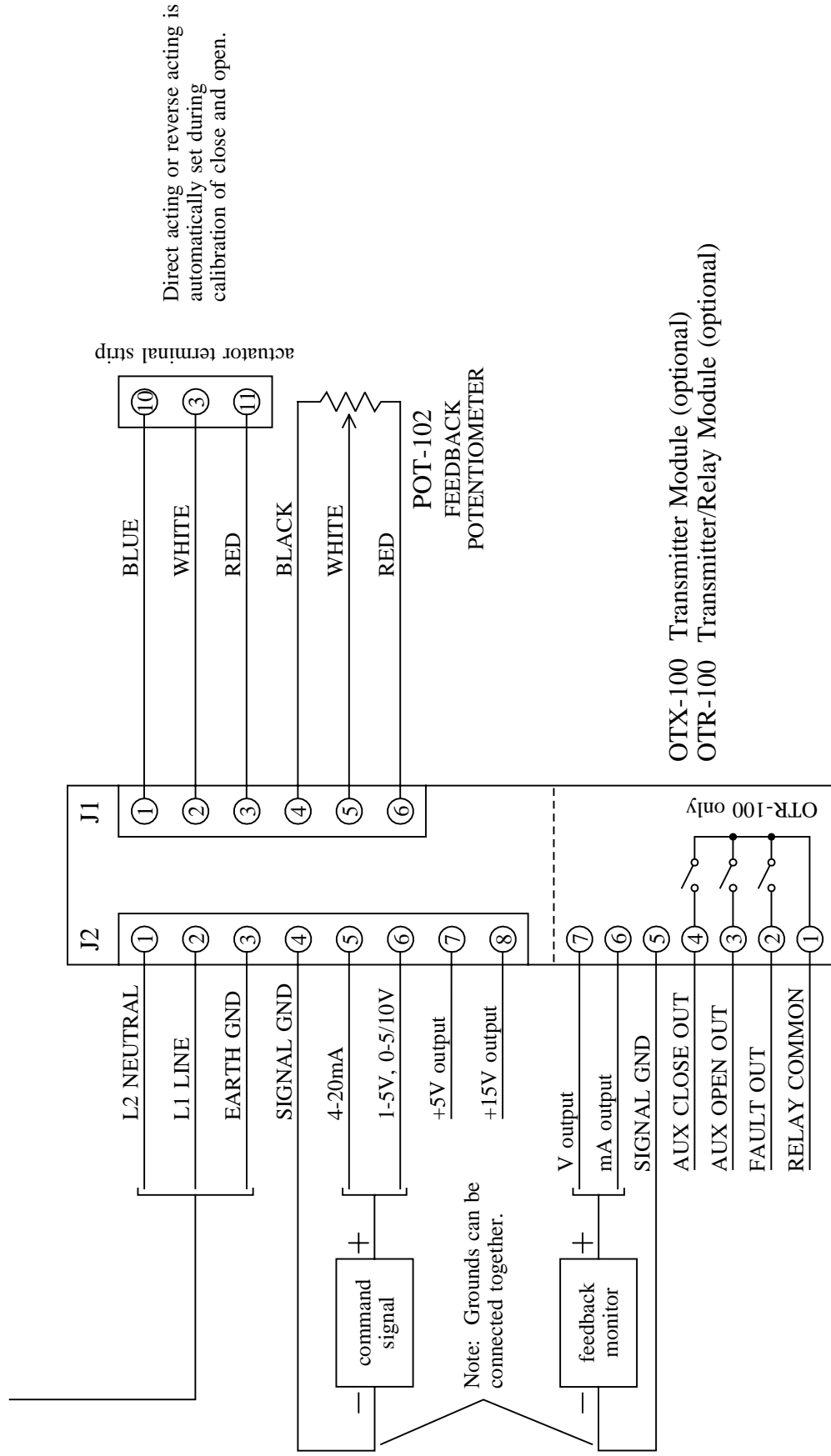


AC DIGITAL POSITIONERS

WIRING DIAGRAM

Noah NA015, 019, 028, 038, 050, 060, 080, 100, 150, 200, 250 Actuators

117VAC DHC-100
234VAC DHC-100A



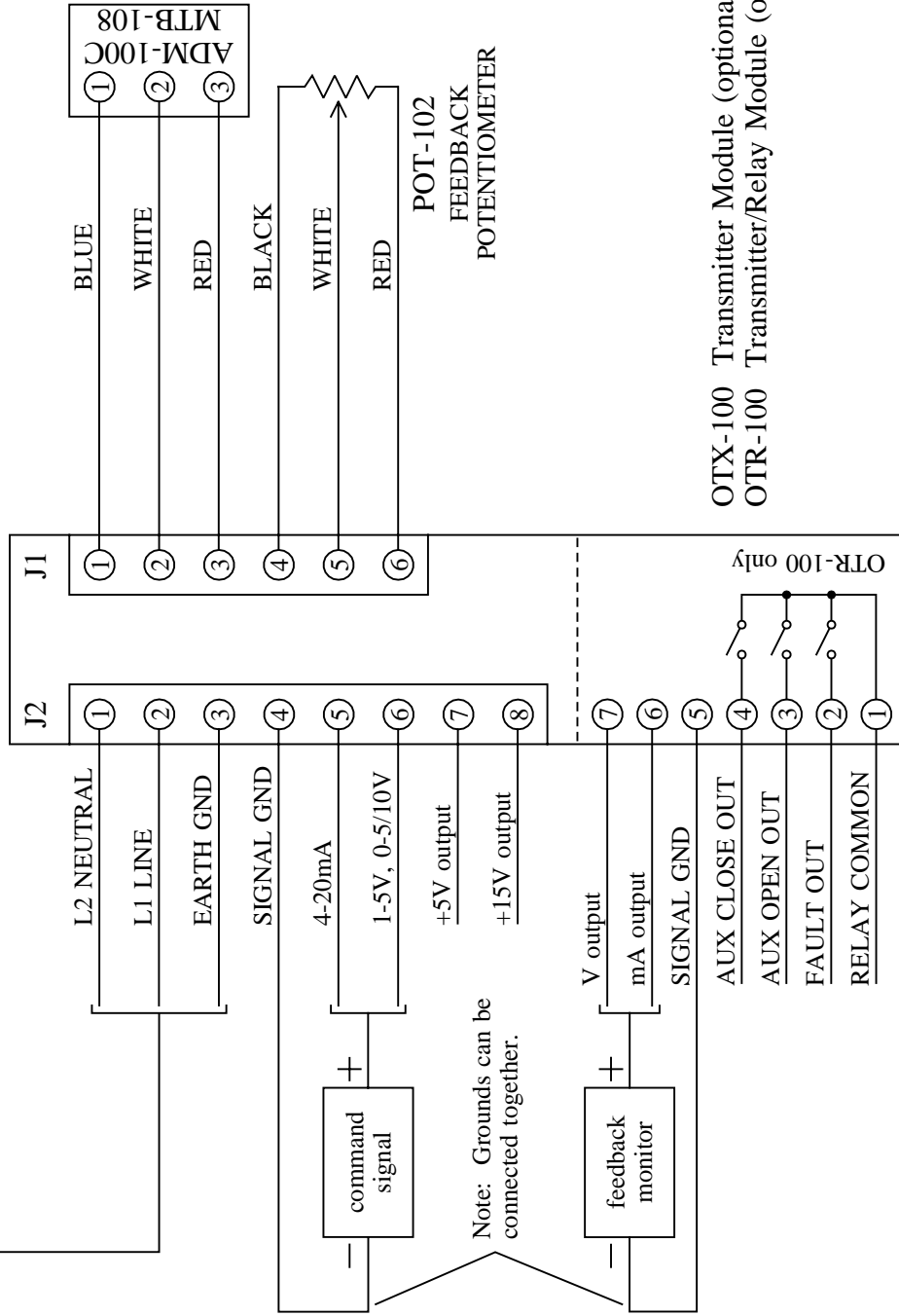
24VAC DIGITAL POSITIONER

WIRING DIAGRAM

Noah NA015, 019, 028 Actuators

24VAC DHC-100B

NOTE: This application uses a 24VDC actuator with an ADM-100C AC to DC Module installed. See ADM-100C wiring.



Direct acting or reverse acting is automatically set during calibration of close and open.

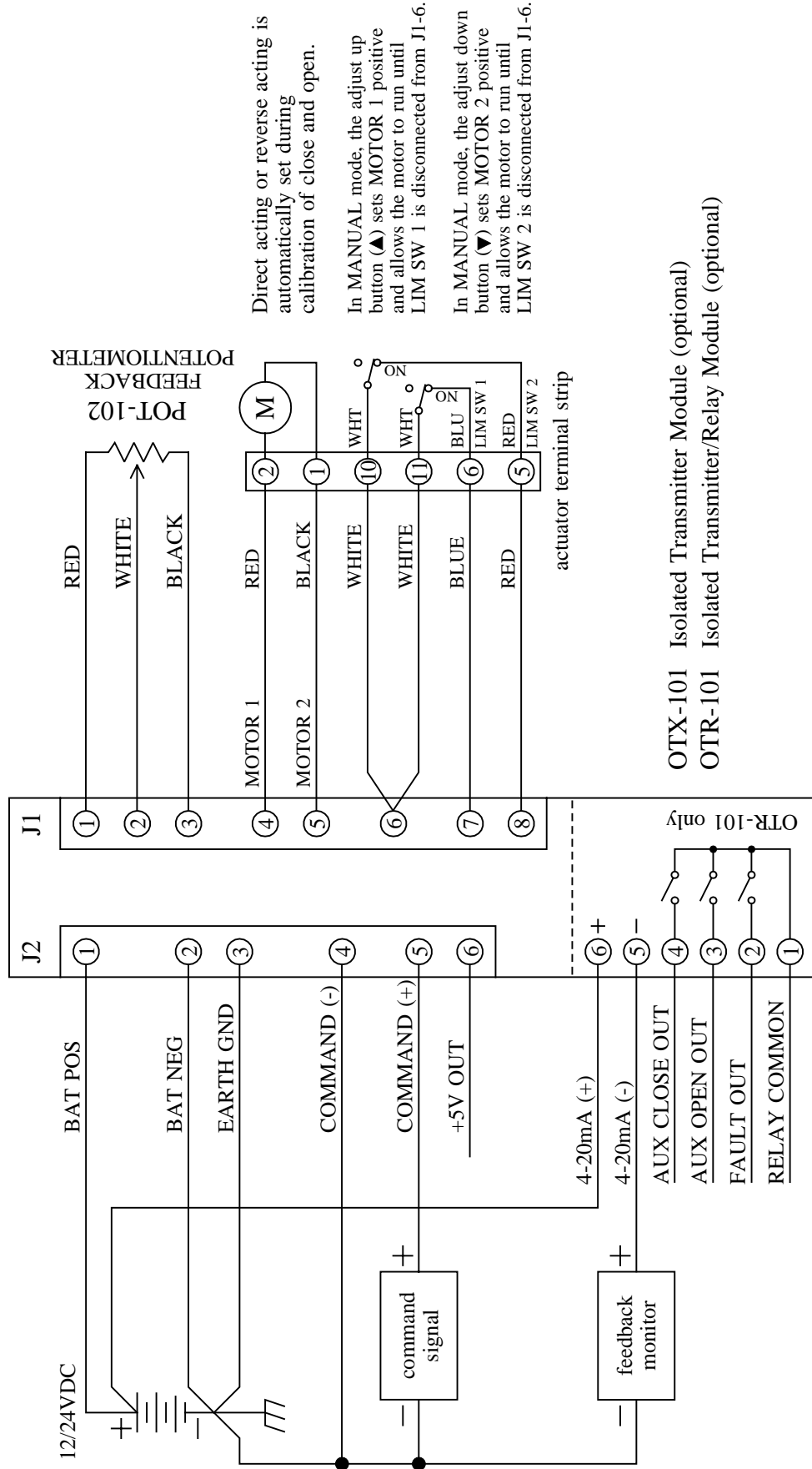
OTX-100 Transmitter Module (optional)
OTR-100 Transmitter/Relay Module (optional)

DC DIGITAL POSITIONER

WIRING DIAGRAM

Noah NA015, 019, 028 Actuators

DHC-400



Direct acting or reverse acting is automatically set during calibration of close and open.

In MANUAL mode, the adjust up button (▲) sets MOTOR 1 positive and allows the motor to run until LIM SW 1 is disconnected from J1-6.

In MANUAL mode, the adjust down button (▼) sets MOTOR 2 positive and allows the motor to run until LIM SW 2 is disconnected from J1-6.

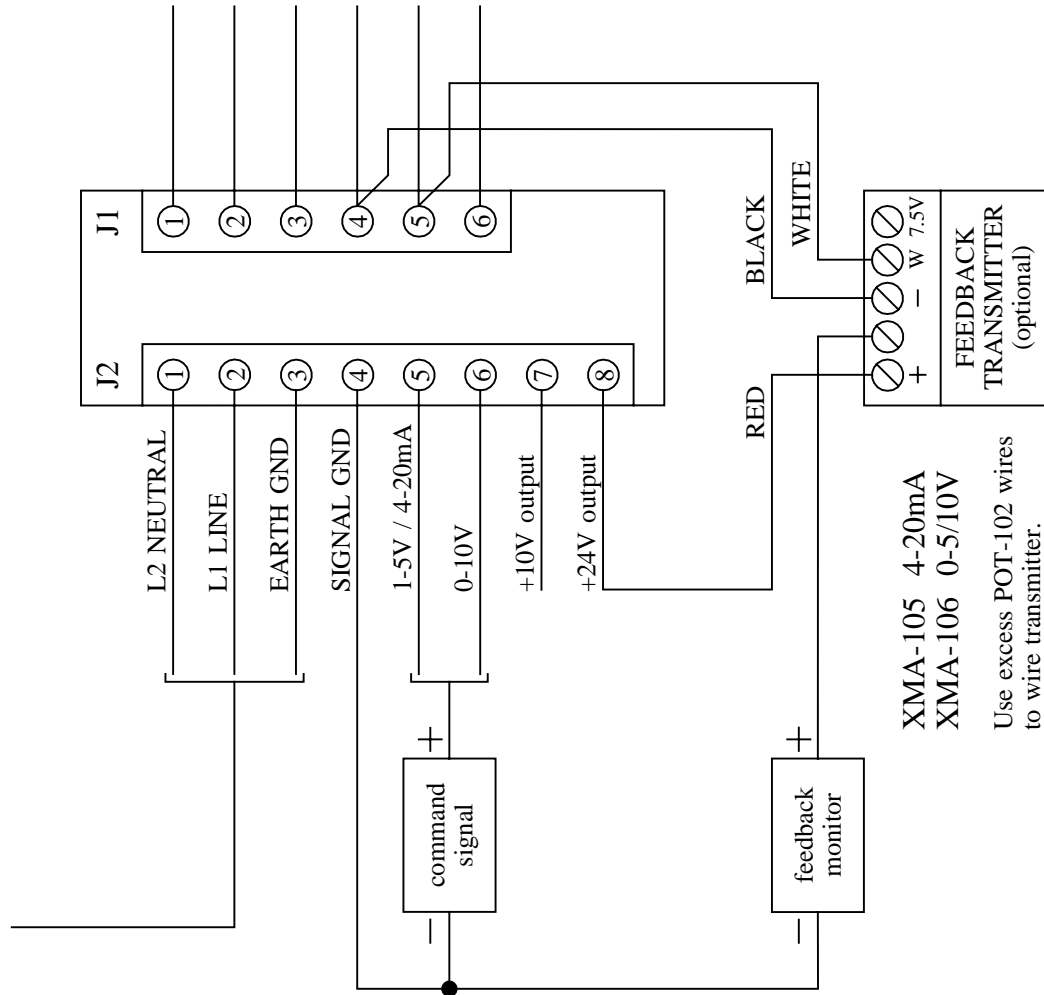
OTX-101 Isolated Transmitter Module (optional)
 OTR-101 Isolated Transmitter/Relay Module (optional)

AC ANALOG / LOG RATE POSITIONERS (standard)

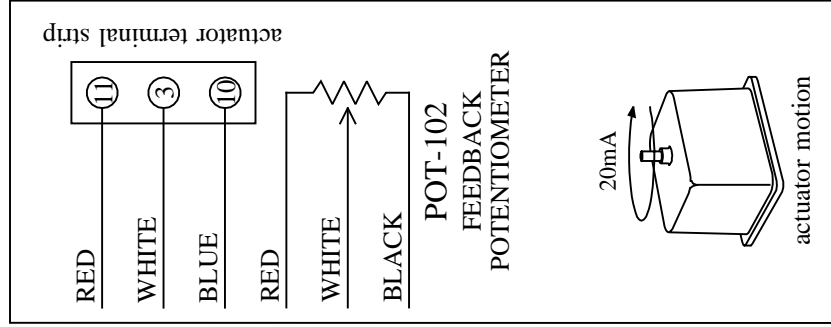
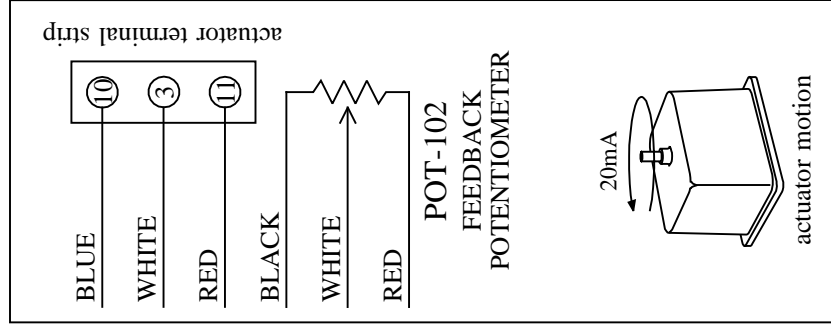
WIRING DIAGRAM

Noah NA015, 019, 028, 038, 050, 060, 080, 100 Actuators

117VAC AMC-101A / LRC-101A / LRC-101G
 234VAC AMC-101C / LRC-101B / LRC-101H



XMA-105 4-20mA
 XMA-106 0-5/10V
 Use excess POT-102 wires to wire transmitter.

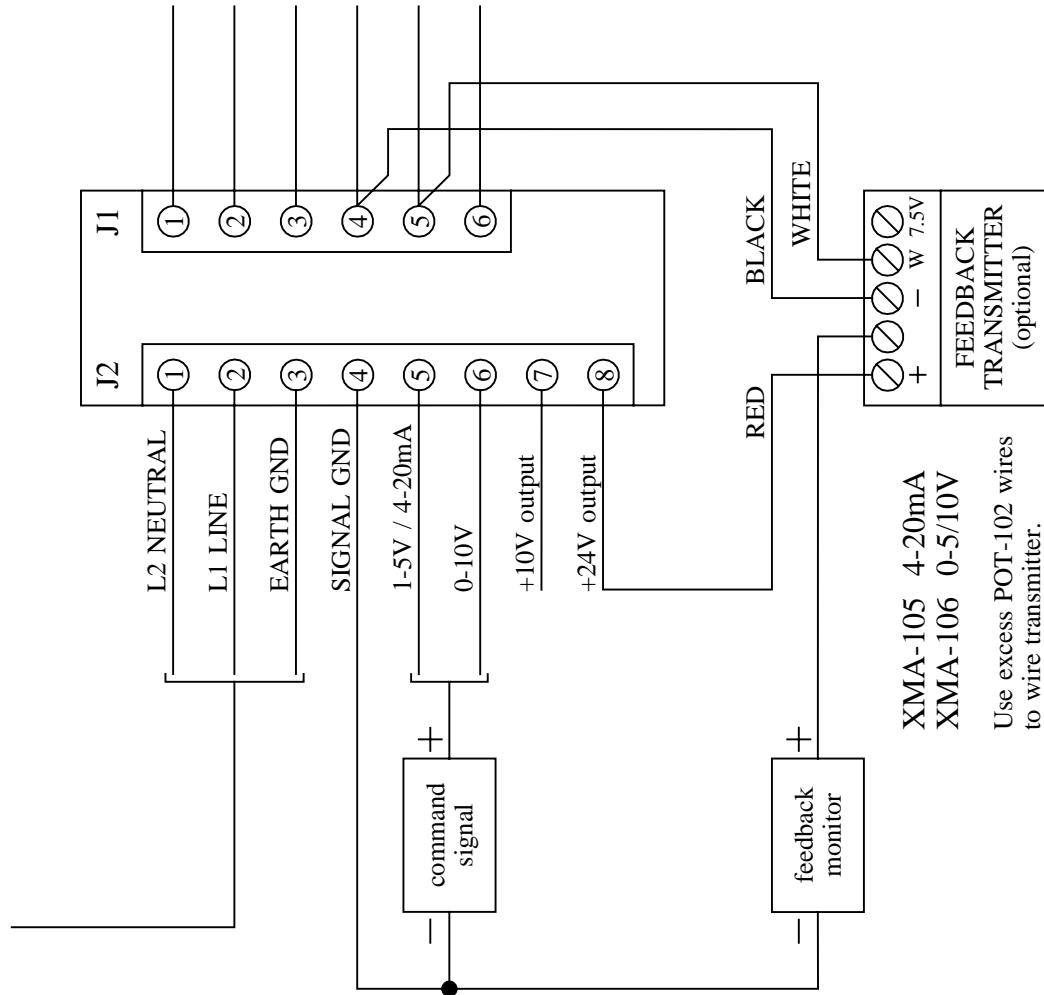


AC ANALOG / LOG RATE POSITIONERS (standard)

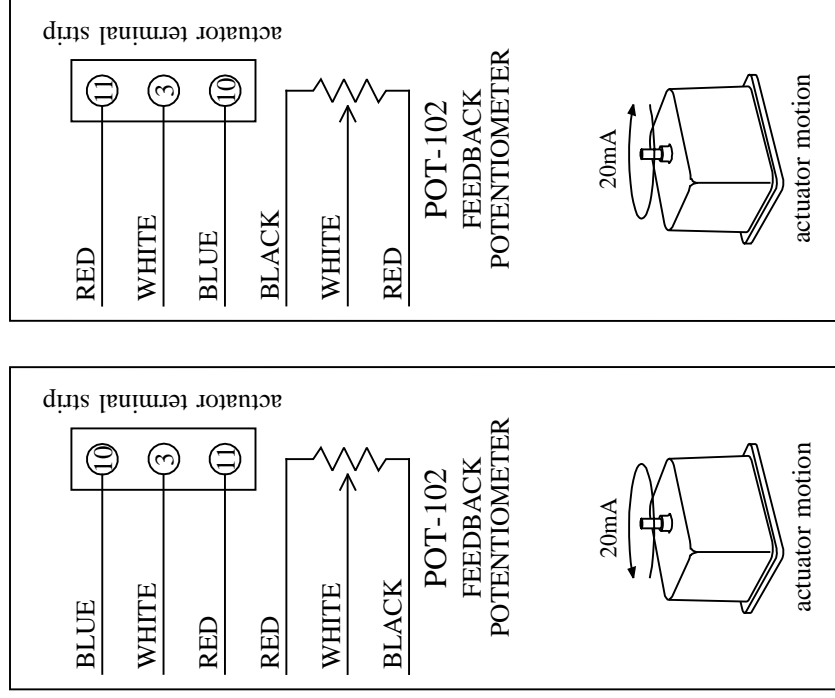
WIRING DIAGRAM

Noah NA150, 200, 250 Actuators

117VAC AMC-101A / LRC-101A / LRC-101G
 234VAC AMC-101C / LRC-101B / LRC-101H



XMA-105 4-20mA
 XMA-106 0-5/10V
 Use excess POT-102 wires to wire transmitter.

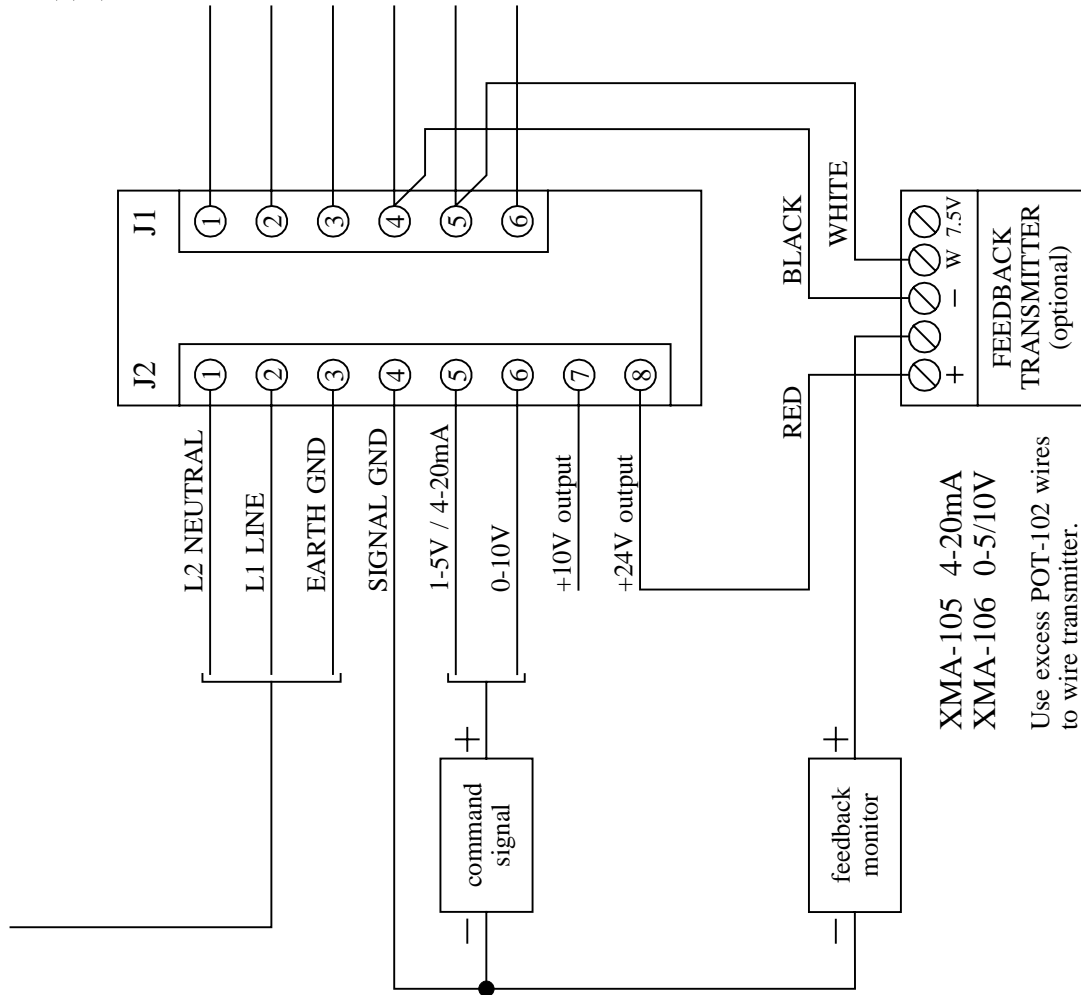


24VAC ANALOG / LOG RATE POSITIONERS (standard)

WIRING DIAGRAM

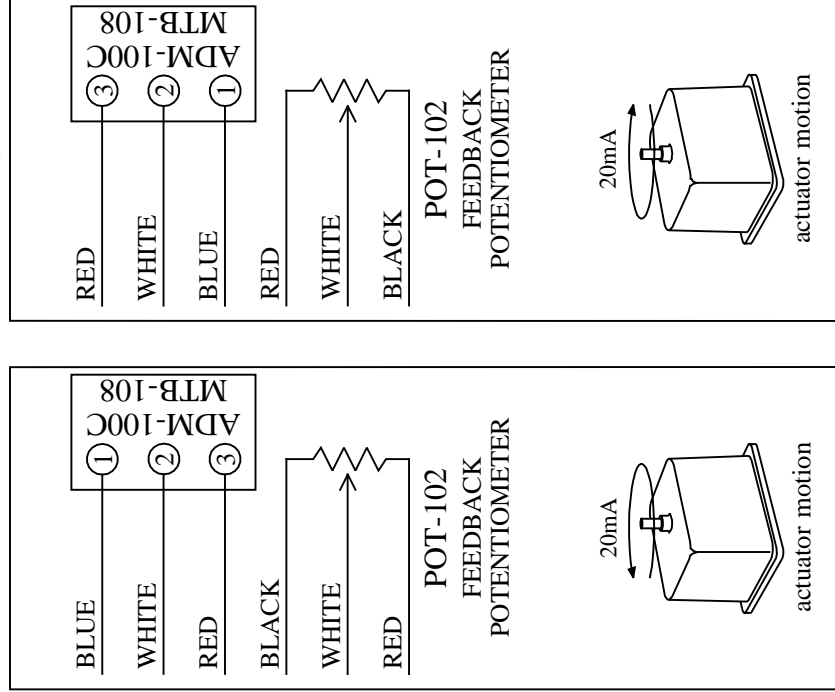
Noah NA015, 019, 028 Actuators

24VAC AMC-101E / LRC-101C / LRC-101I



XMA-105 4-20mA
 XMA-106 0-5/10V
 Use excess POT-102 wires to wire transmitter.

NOTE: This application uses a 24VDC actuator with an ADM-100C AC to DC Module installed. See ADM-100C wiring.

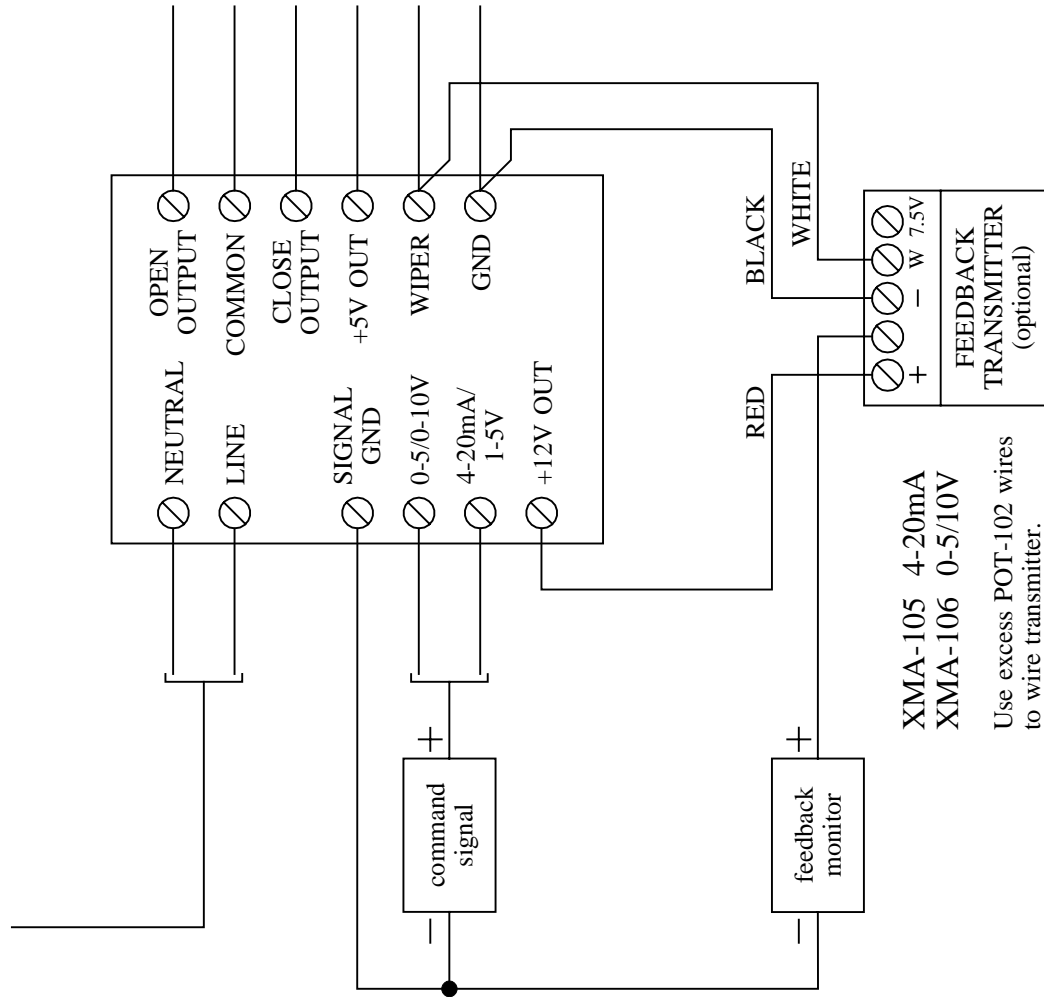


AC ANALOG POSITIONERS (miniature)

WIRING DIAGRAM

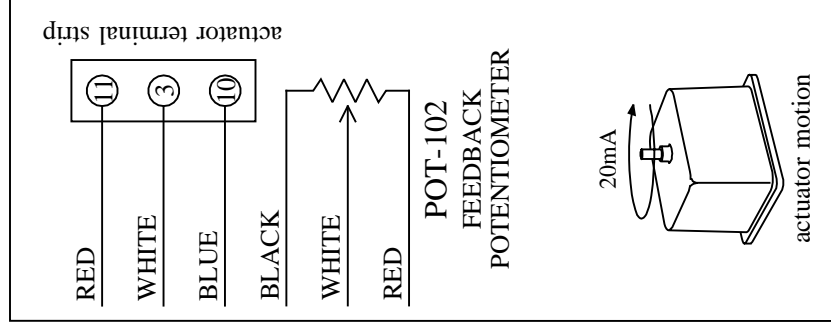
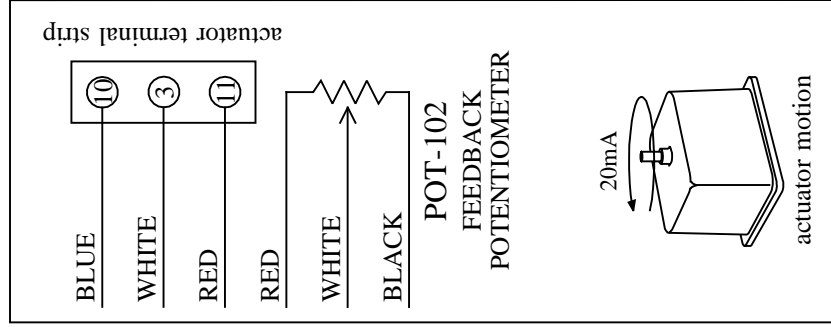
Noah NA015, 019, 028 Actuators

117VAC AMC-103
234VAC AMC-103A



XMA-105 4-20mA
XMA-106 0-5/10V

Use excess POT-102 wires to wire transmitter.

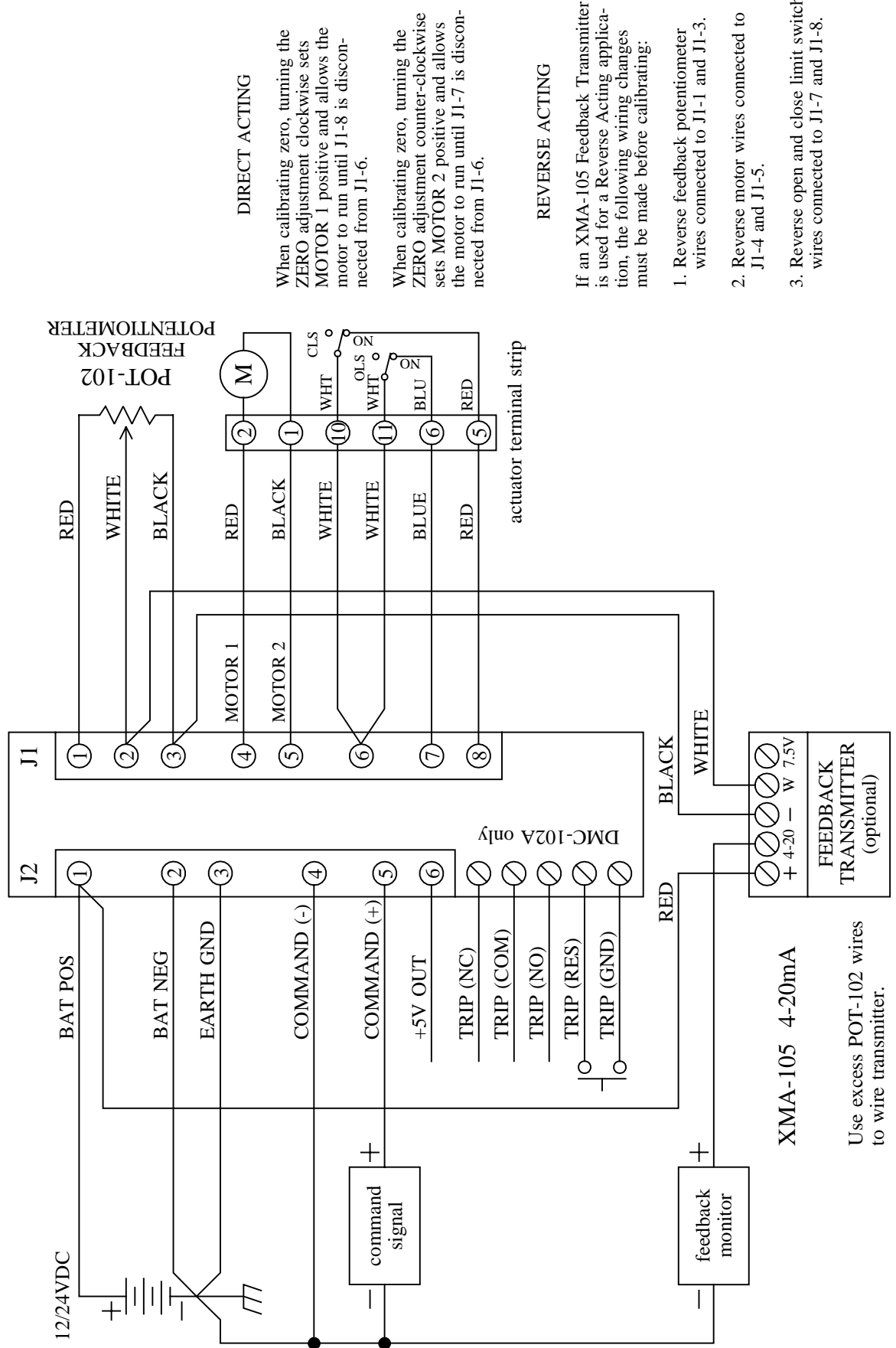


DC ANALOG POSITIONERS

WIRING DIAGRAM

Noah NA015, 019, 028 Actuators

DMC-102 / DMC-102A



DIRECT ACTING

When calibrating zero, turning the ZERO adjustment clockwise sets MOTOR 1 positive and allows the motor to run until J1-8 is disconnected from J1-6.

When calibrating zero, turning the ZERO adjustment counter-clockwise sets MOTOR 2 positive and allows the motor to run until J1-7 is disconnected from J1-6.

REVERSE ACTING

If an XMA-105 Feedback Transmitter is used for a Reverse Acting application, the following wiring changes must be made before calibrating:

1. Reverse feedback potentiometer wires connected to J1-1 and J1-3.
2. Reverse motor wires connected to J1-4 and J1-5.
3. Reverse open and close limit switch wires connected to J1-7 and J1-8.

XMA-105 4-20mA

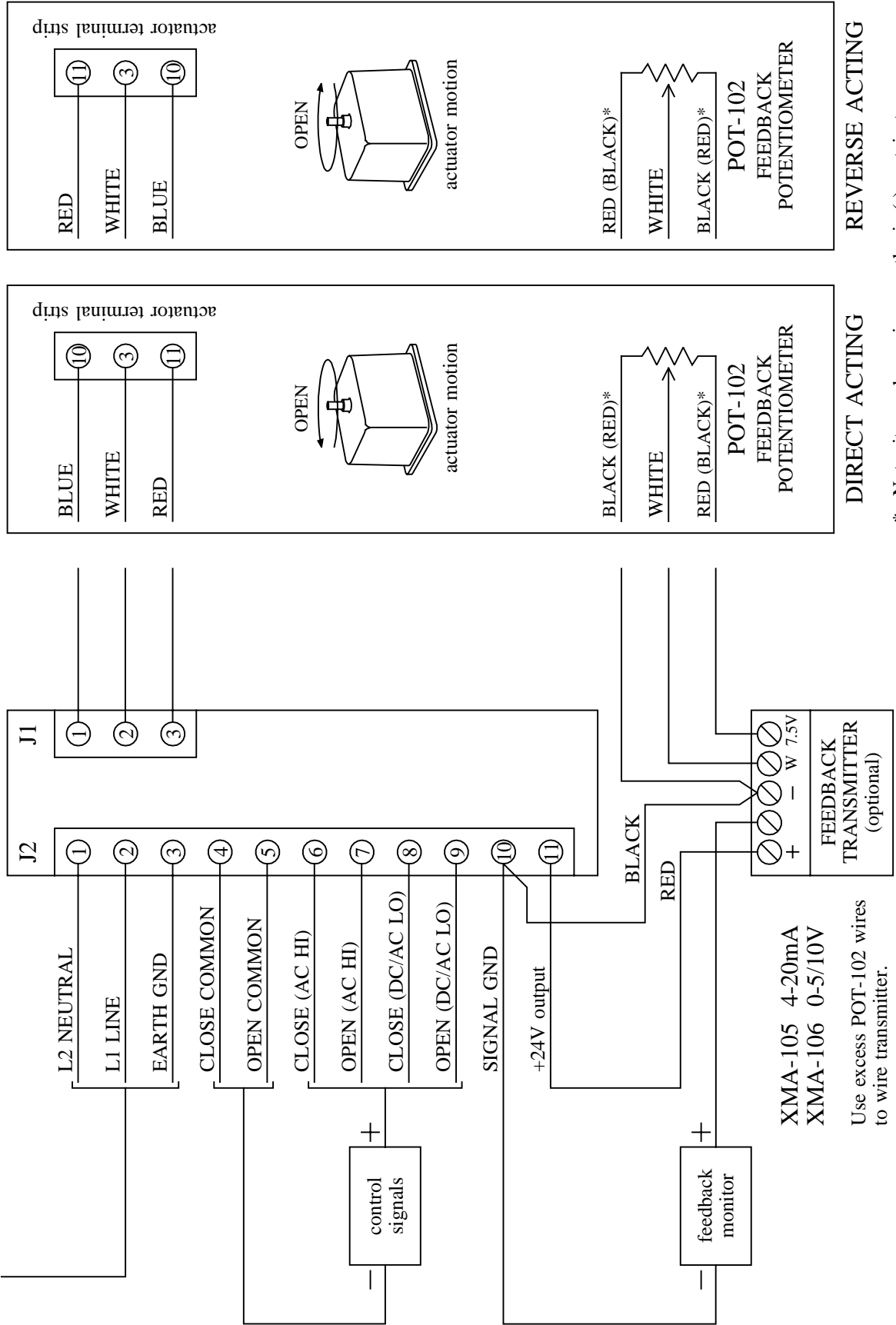
Use excess POT-102 wires to wire transmitter.

AC ON/OFF CONTROLLERS

WIRING DIAGRAM

Noah NA015, 019, 028, 038, 050, 060, 080, 100, 150, 200, 250 Actuators

117VAC AMI-103
234VAC AMI-103A



* Note, items shown in parenthesis () pertain to NA150, 200, and 250 only.

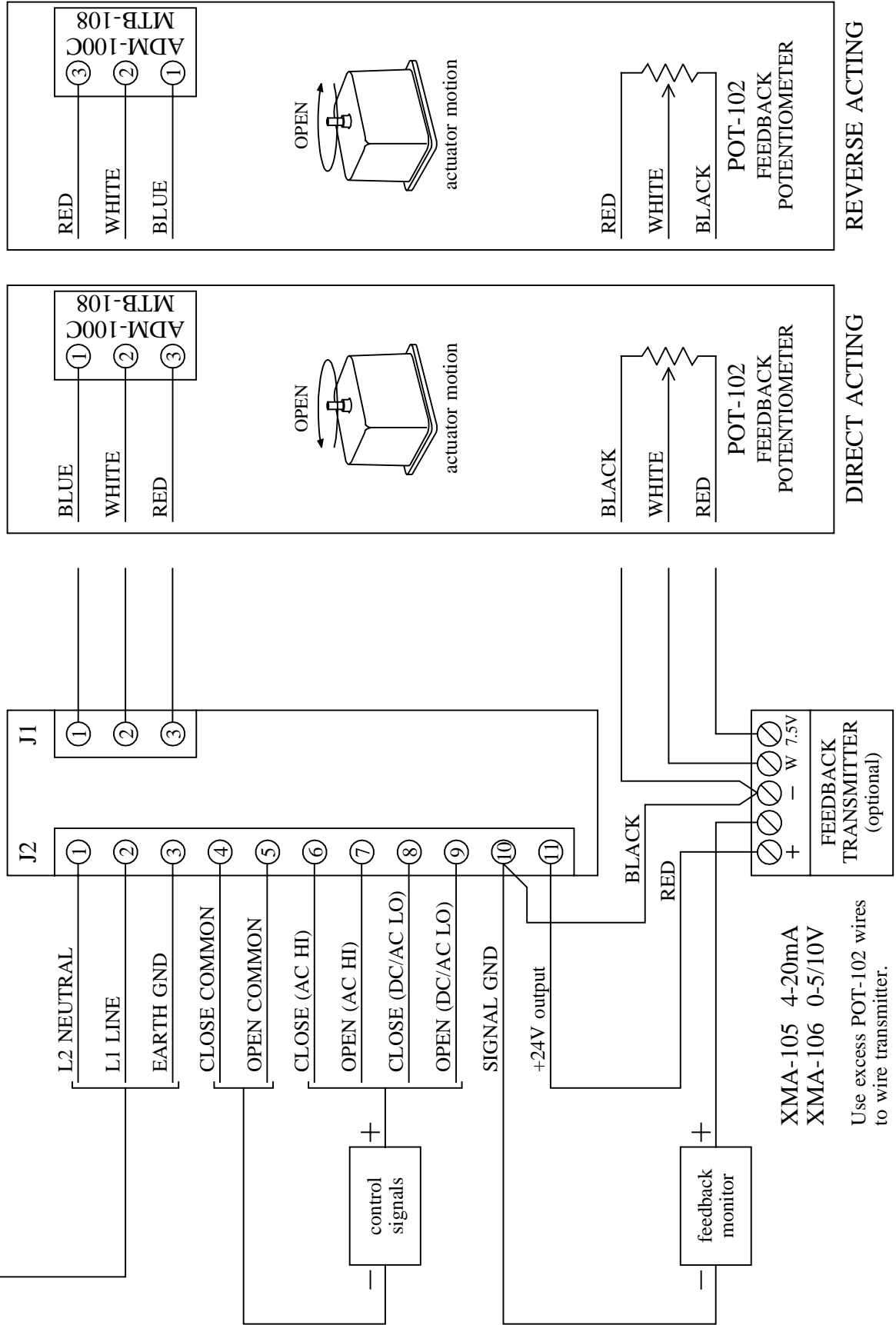
24VAC ON/OFF CONTROLLERS

WIRING DIAGRAM

Noah NA015, 019, 028 Actuators

24VAC AMI-103B

NOTE: This application uses a 24VDC actuator with an ADM-100C AC to DC Module installed. See ADM-100C wiring.



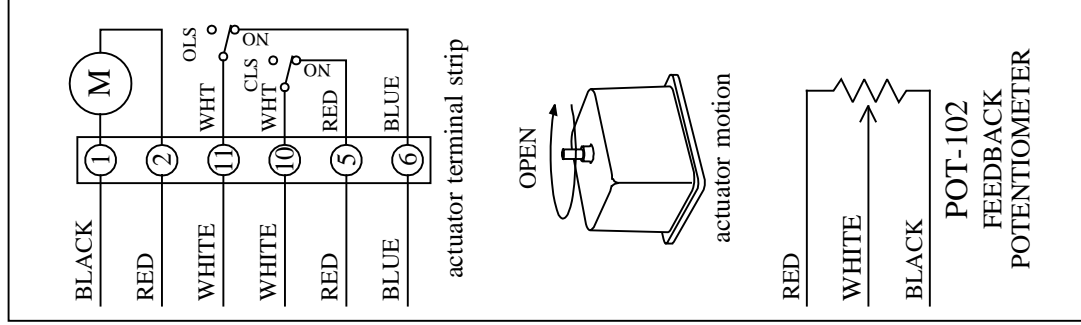
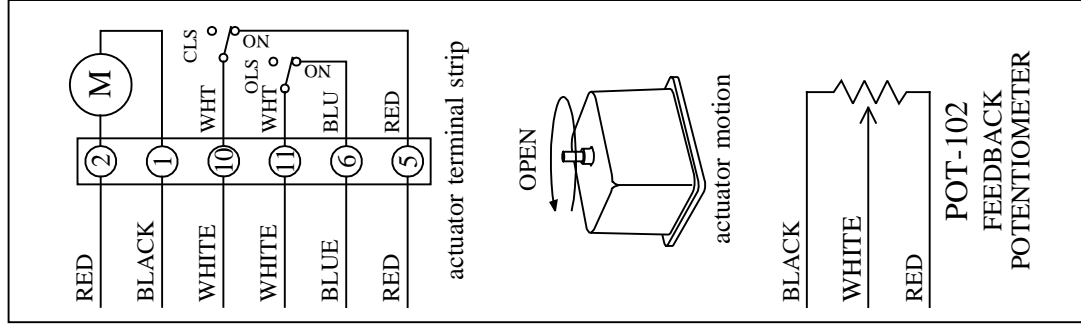
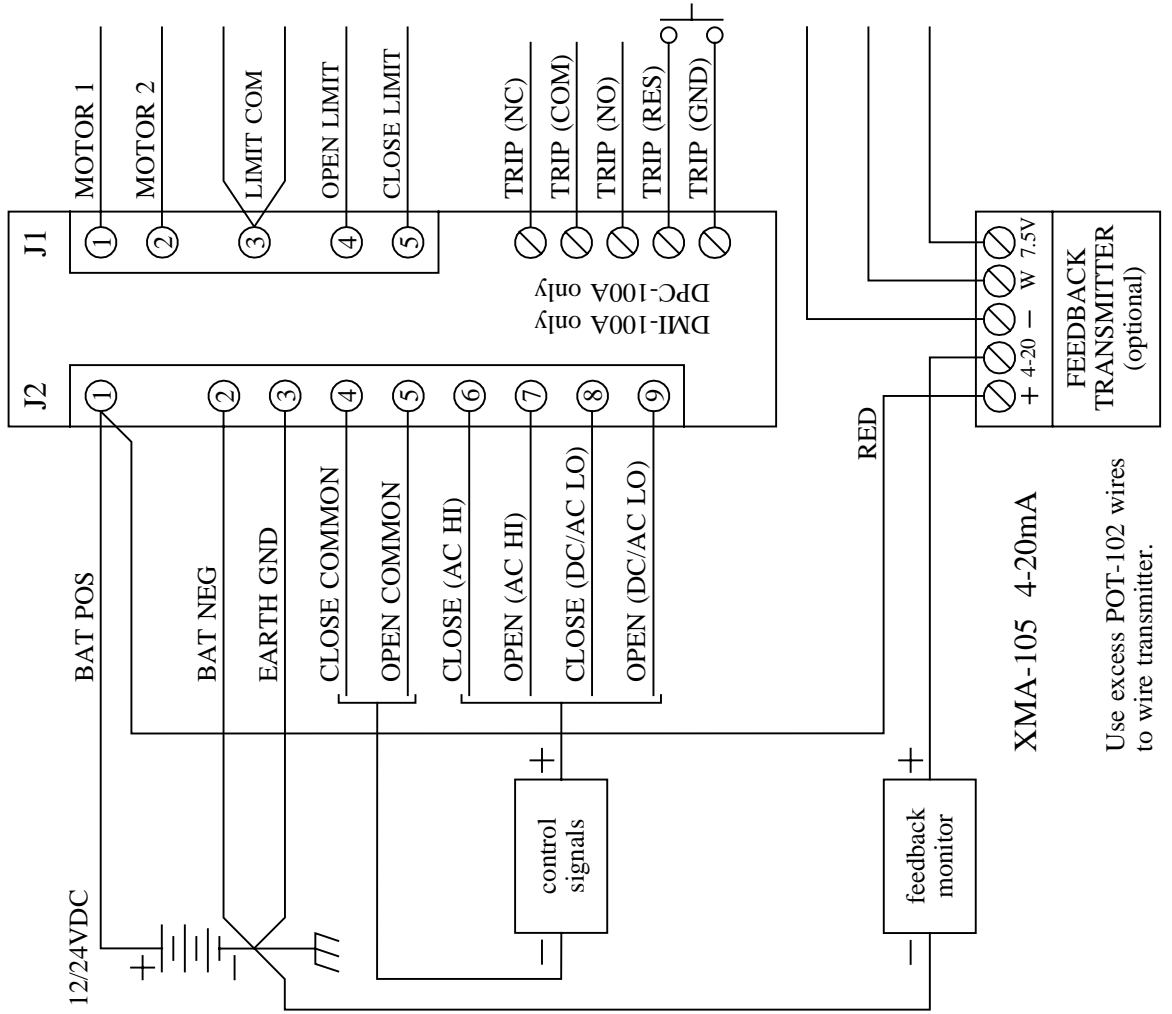
XMA-105 4-20mA
 XMA-106 0-5/10V
 Use excess POT-102 wires to wire transmitter.

DC ON/OFF CONTROLLERS

WIRING DIAGRAM

Noah NA015, 019, 028 Actuators

DMI-100 / DMI-100A
DPC-100 / DPC-100A

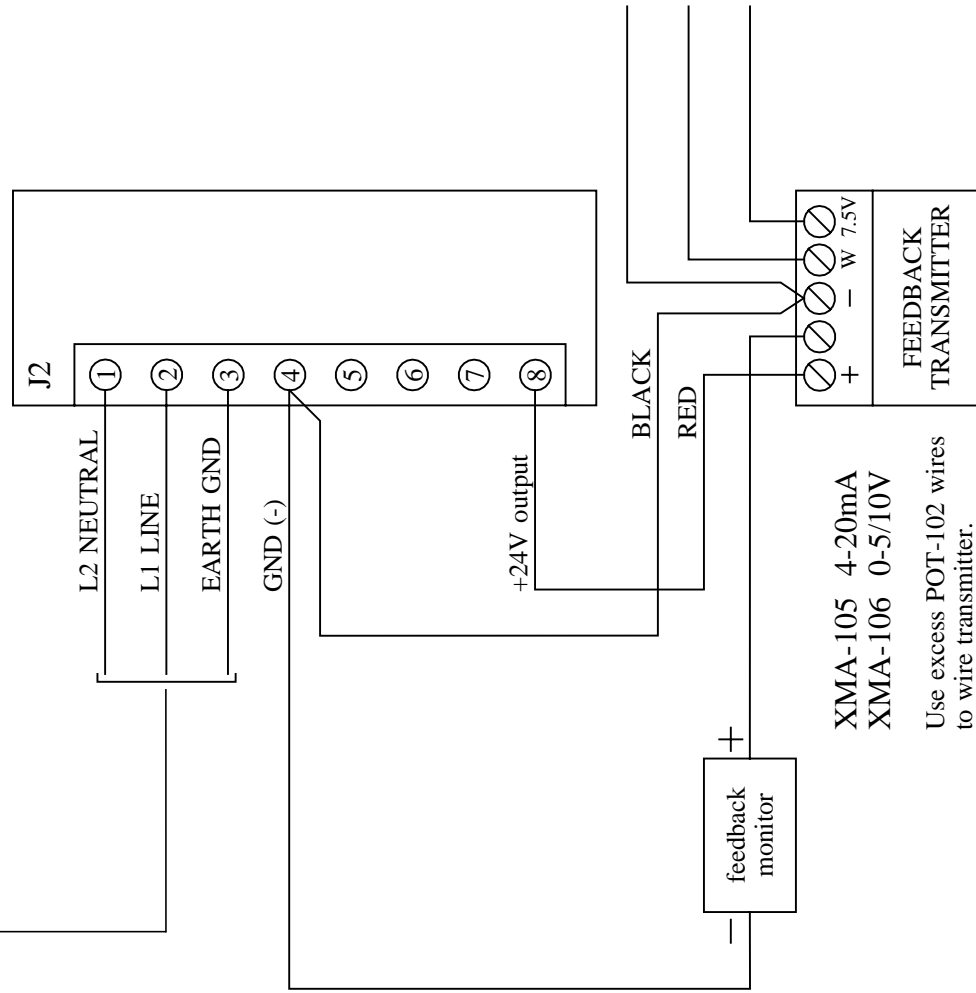


FEEDBACK TRANSMITTERS (powered)

WIRING DIAGRAM

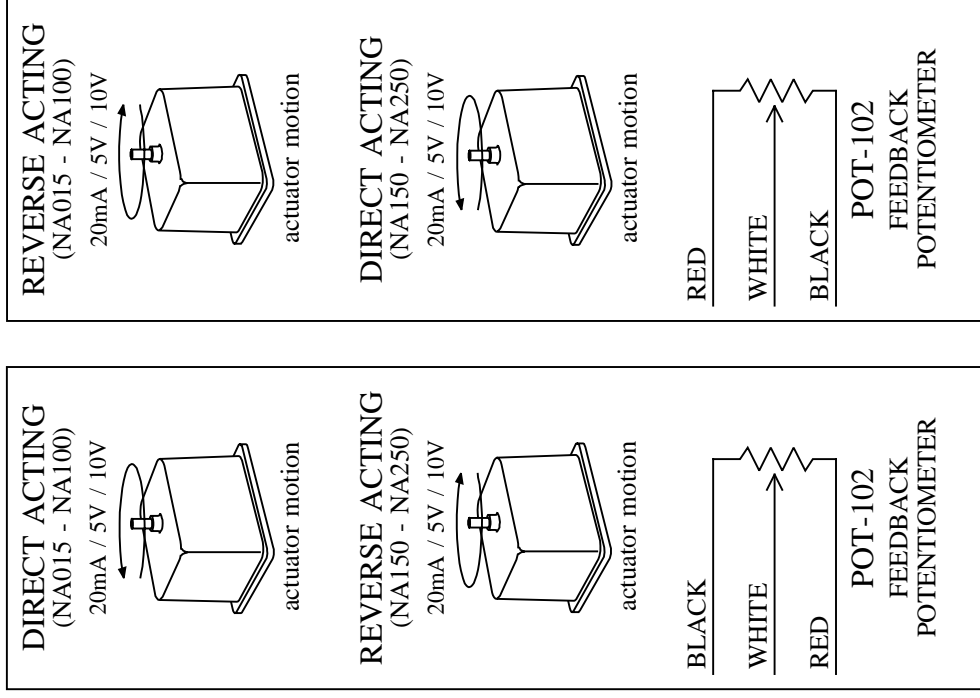
Noah NA015, 019, 028, 038, 050, 060, 080, 100, 150, 200, 250 Actuators

117VAC PWR-102
 234VAC PWR-102A
 24VAC PWR-102B



XMA-105 4-20mA
 XMA-106 0-5/10V

Use excess POT-102 wires to wire transmitter.



FEEDBACK TRANSMITTER (loop powered)

WIRING DIAGRAM

Noah NA015, 019, 028, 038, 050, 060, 080, 100, 150, 200, 250 Actuators

