

CONTROLLER INSTALLATION

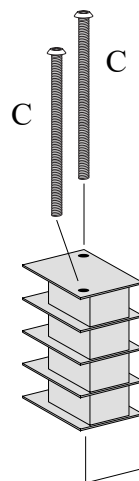
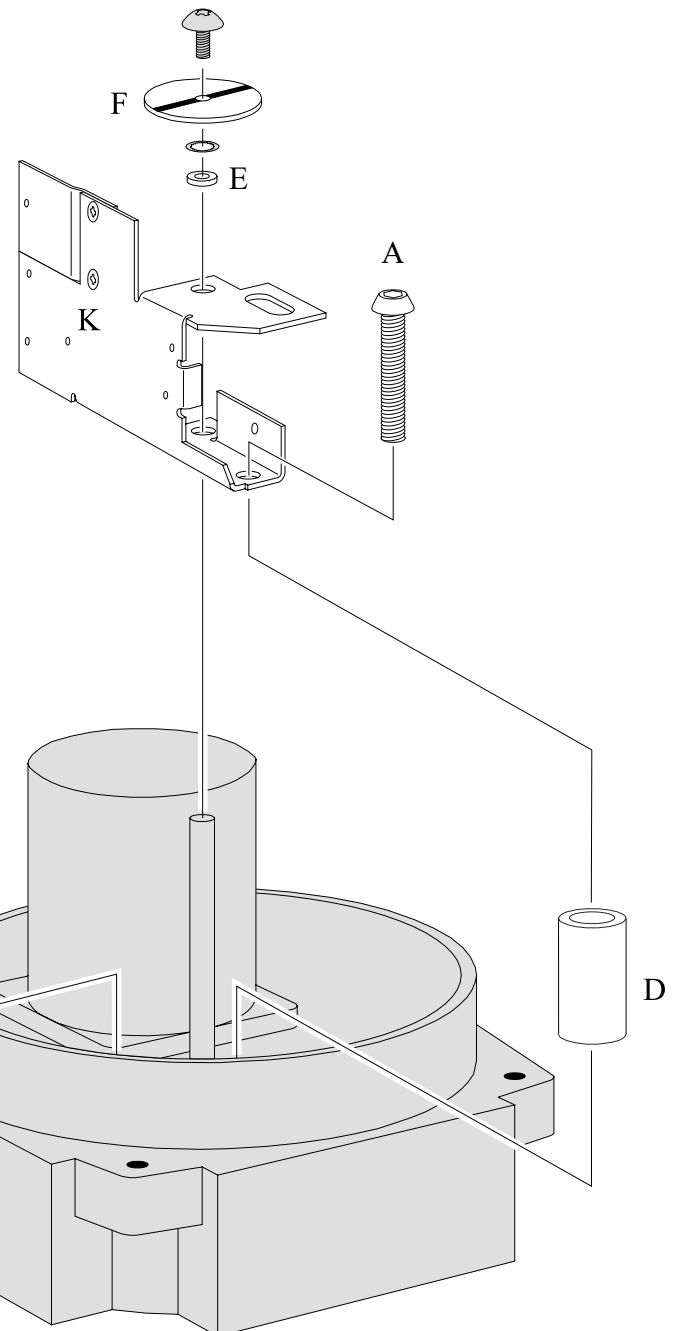
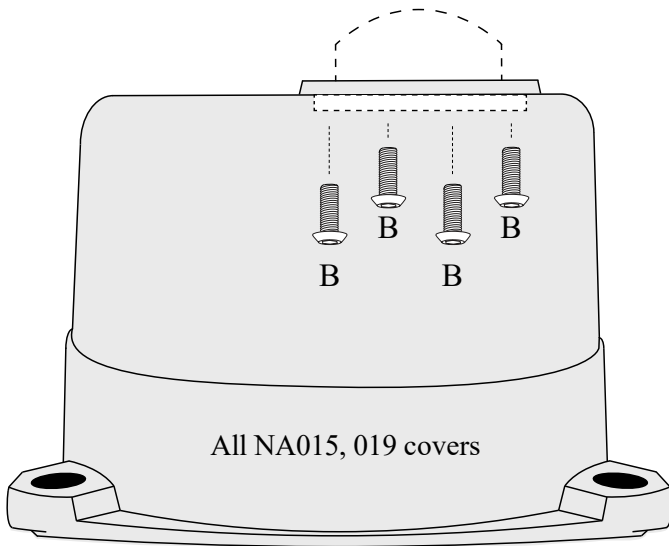
ASSEMBLY DIAGRAM

Noah NA015, 019 Actuators

NA-015, 019 COVER PREPARATION

Replace (4) socket head cap screws in cover with (4) button head screws marked "B".

For NEMA 7 actuators, replace indicator dial with 1.5" Dial "F" using Nylon Washer "E" and existing screw and lockwasher.

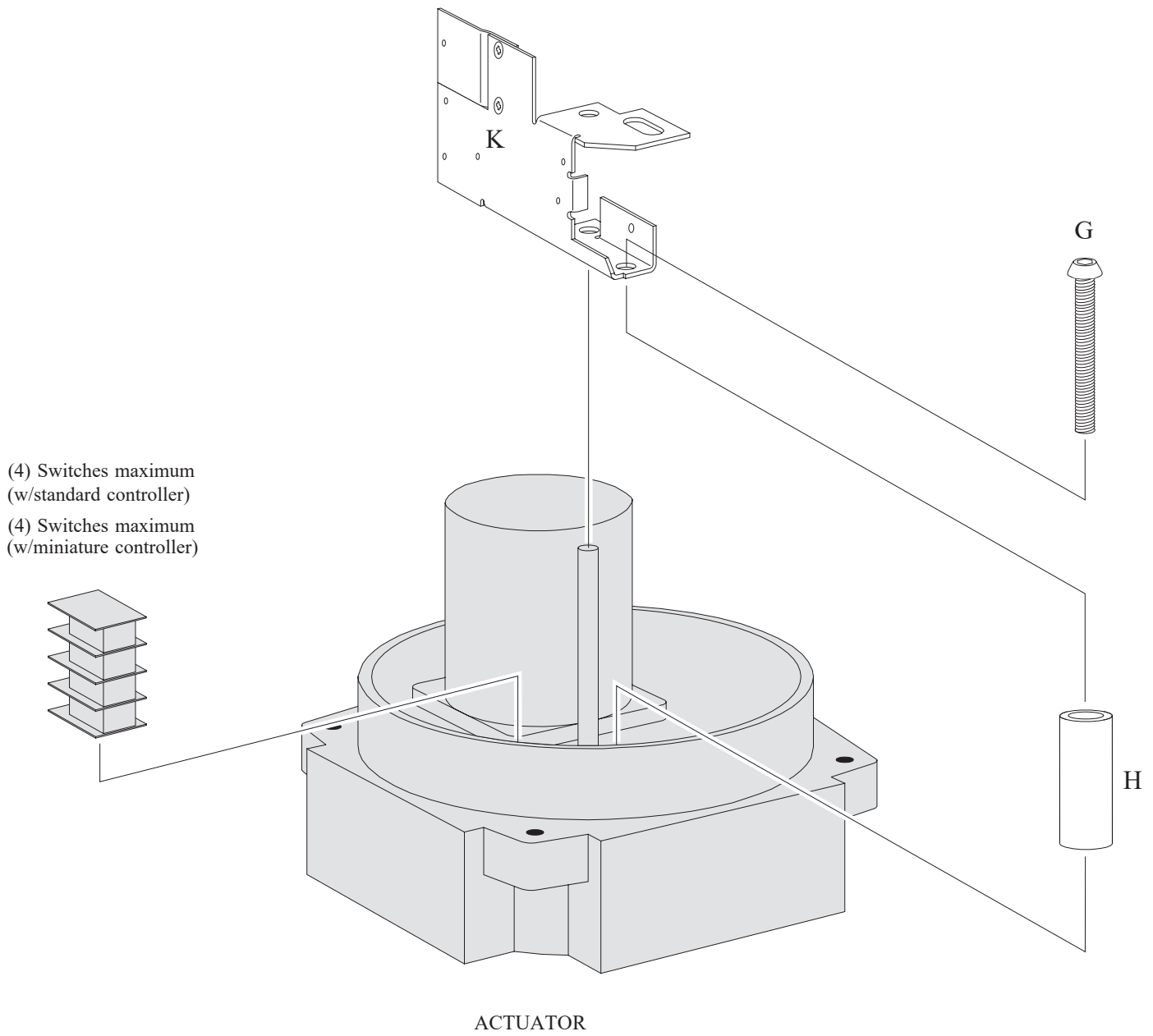


- (4) Switches maximum (w/standard controller)
- (2) Switches maximum (w/miniature controller)

With (4) switches, replace existing switch screws on all NA015, 019 actuators with button head type screws marked "C".

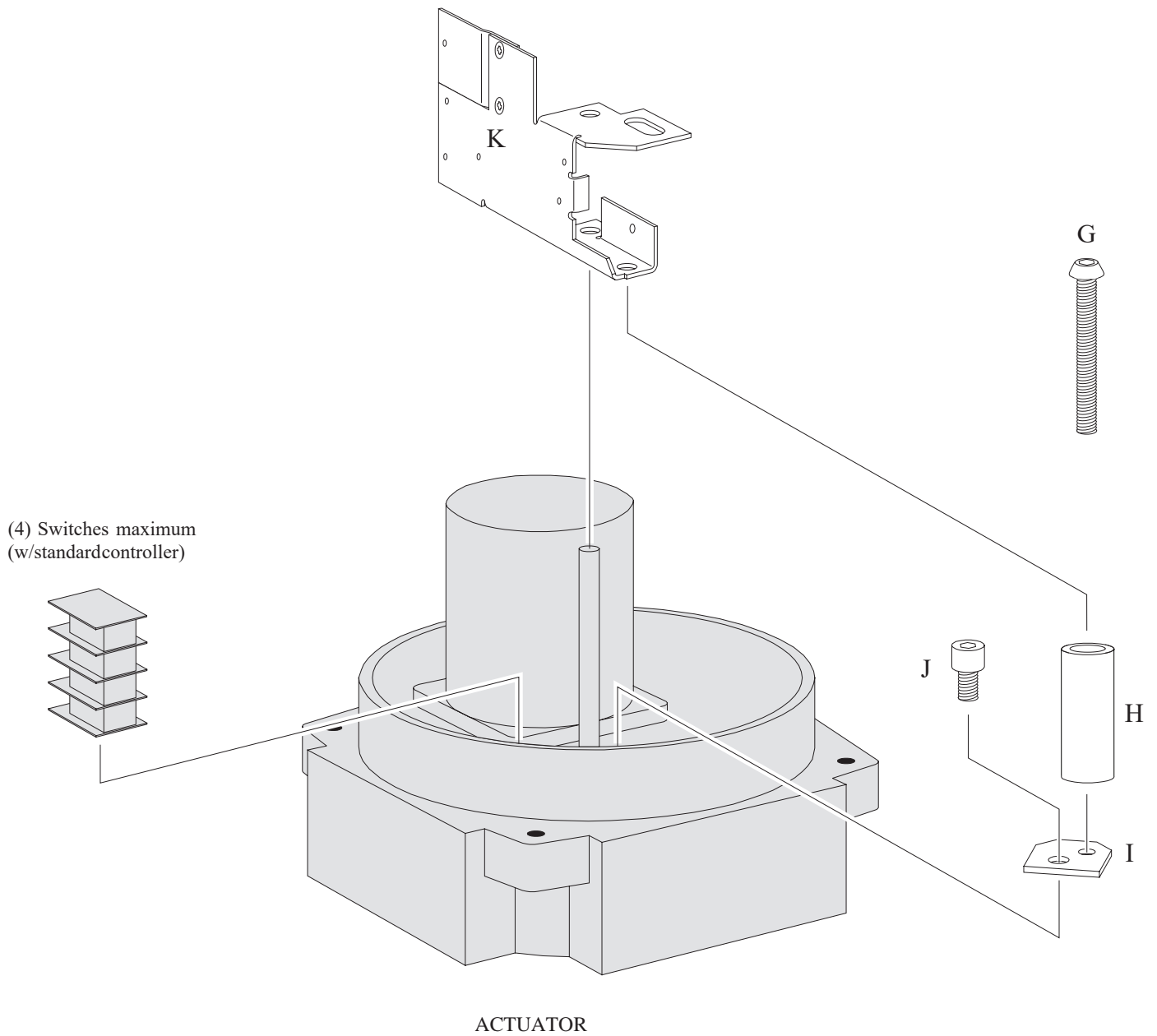
ASSEMBLY DIAGRAM

Noah NA028, 038, 050 Actuators

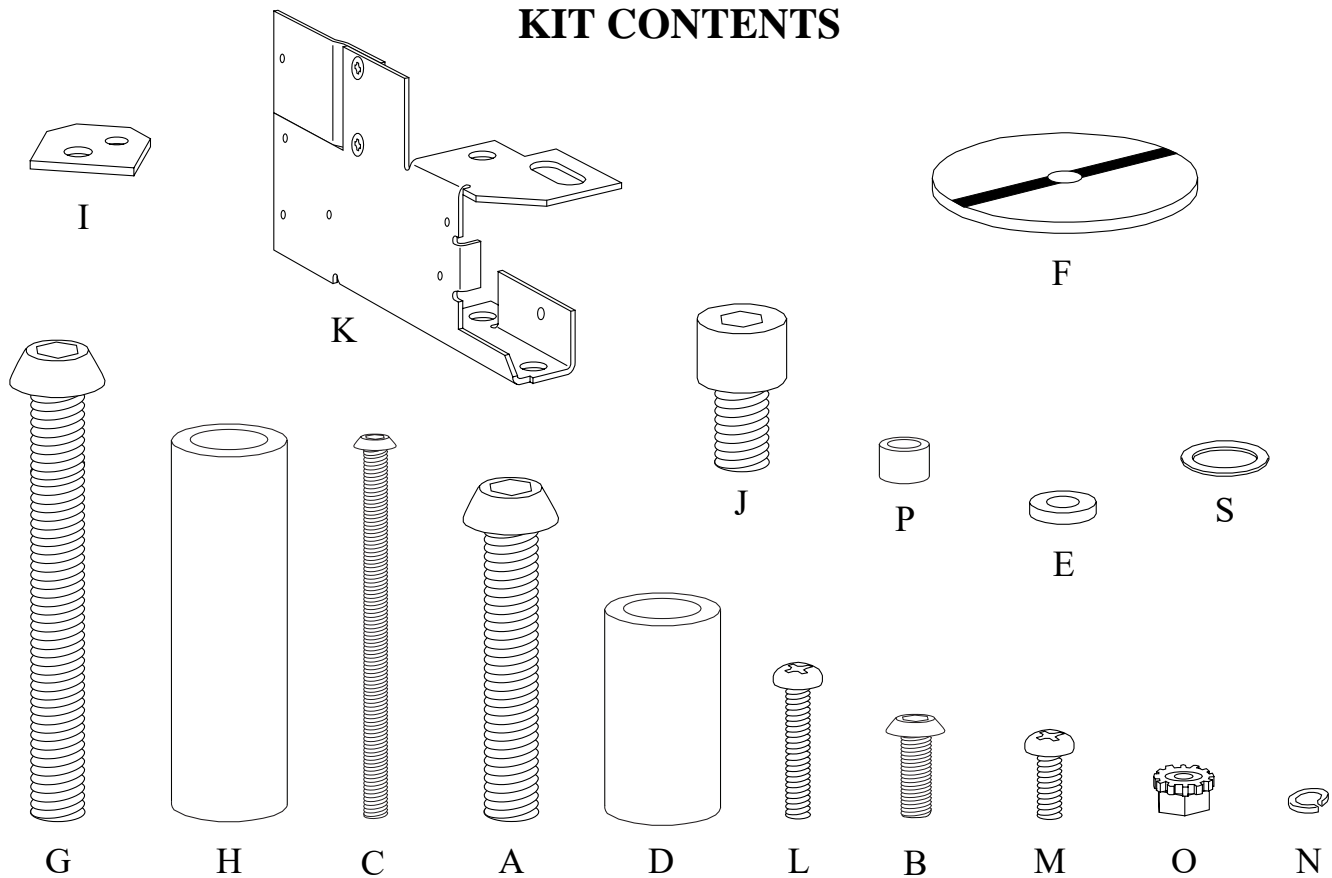


ASSEMBLY DIAGRAM

Noah NA060, 080, 100, 150, 200, 250 Actuators



KIT CONTENTS



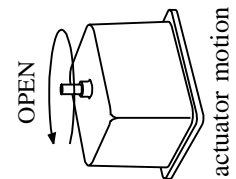
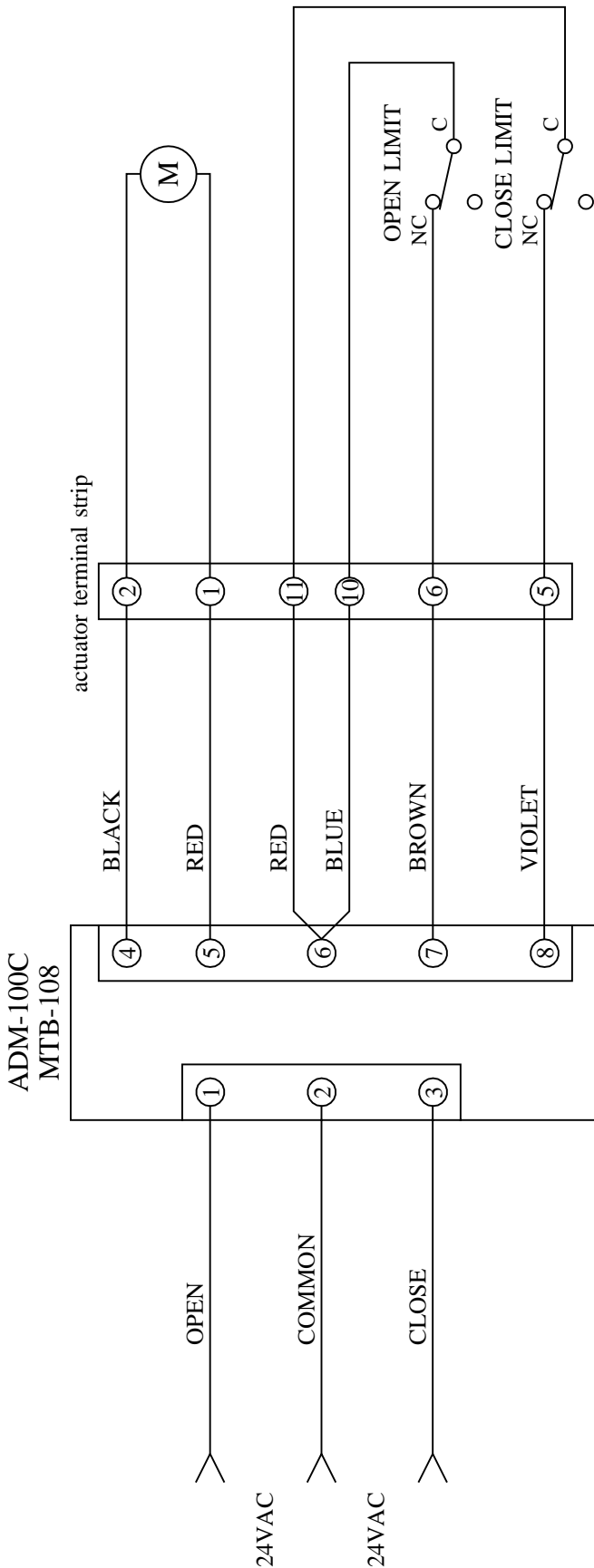
ITEM	QTY	DESCRIPTION
A	1	8mm/1.25mm x 40mm button head cap screw (NA015, 019)
B	4	5mm/0.8mm x 10mm button head cap screw (NA015, 019)
C	2	3mm/0.5mm x 50mm button head cap screw (NA015, 019)
D	1	1.125" CPVC spacer (0.675" O.D.) (NA015, 019)
E	1	#10 nylon washer, 0.062" thick (NA015, 019 NEMA 7)
F	1	1.5" indicator dial (NA015, 019 NEMA 7)
G	1	8mm/1.25mm x 60mm button head cap screw (NA028-NA250)
H	1	1.969" CPVC spacer (0.675" O.D.) (NA028-NA250)
I	1	adaptor plate (NA060-NA250)
J	1	8mm/1.25mm x 12mm socket head cap screw (NA060-NA250)
K	1	actuator bracket w/motor clearance bracket
L	3	#6-32 x 0.75" pan head screw
M	5	#6-32 x 0.375" pan head screw
N	4	#6 split ring lockwasher
O	1	#6-32 keps nut
P	1	#6 x 0.187" nylon spacer
not shown	2	16" red wire
not shown	2	16" white wire
not shown	1	16" blue wire
not shown	1	16" black wire
not shown	3	6.3" nylon tie wrap

AC to DC MODULE

WIRING DIAGRAM

Noah NA015, 019, 028 Actuators

The ADM-100C AC to DC Module allows a 24VDC actuator to be controlled like a 24VAC split phase motor actuator.

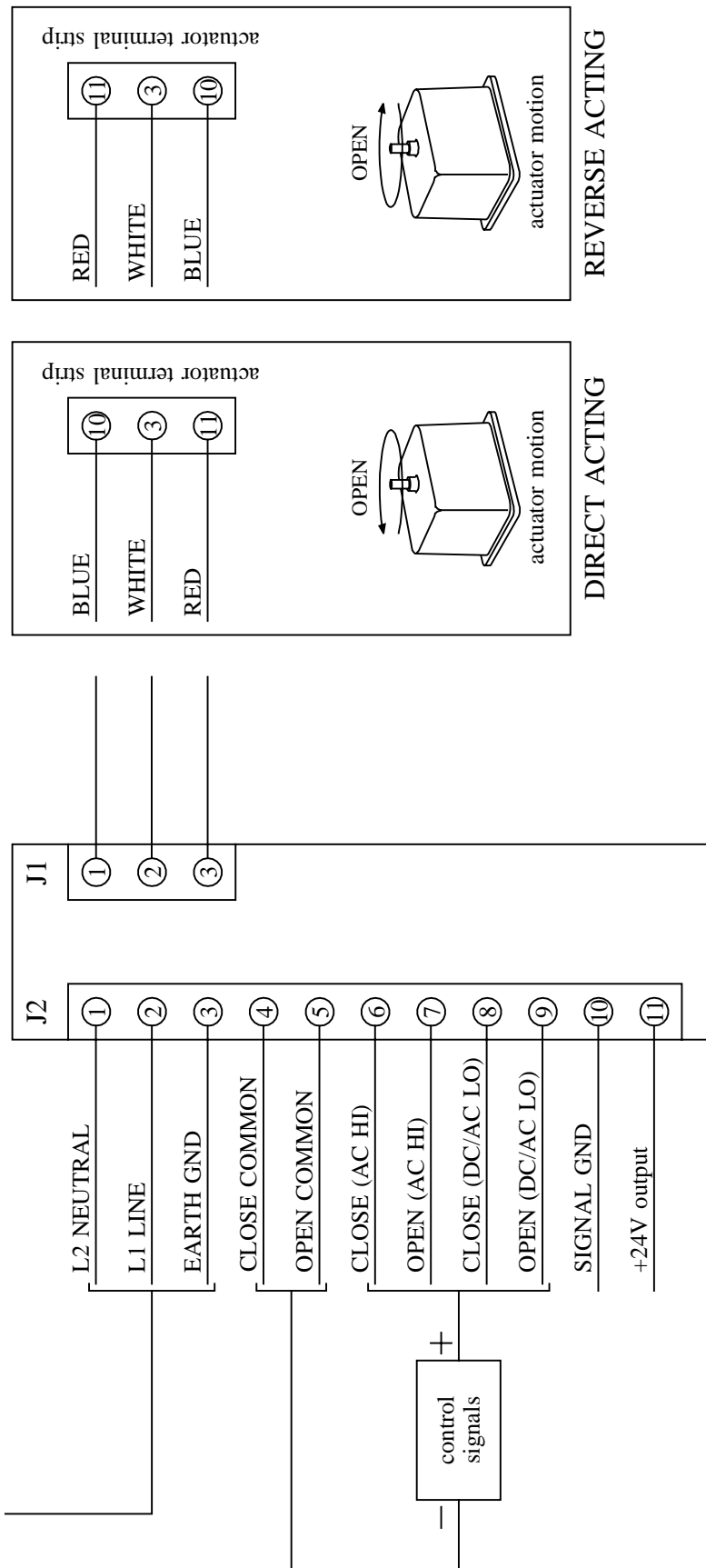


AC ON/OFF CONTROLLERS

WIRING DIAGRAM

Noah NA015, 019, 028, 038, 050, 060, 080, 100, 150, 200, 250 Actuators

117VAC AMI-103
234VAC AMI-103A



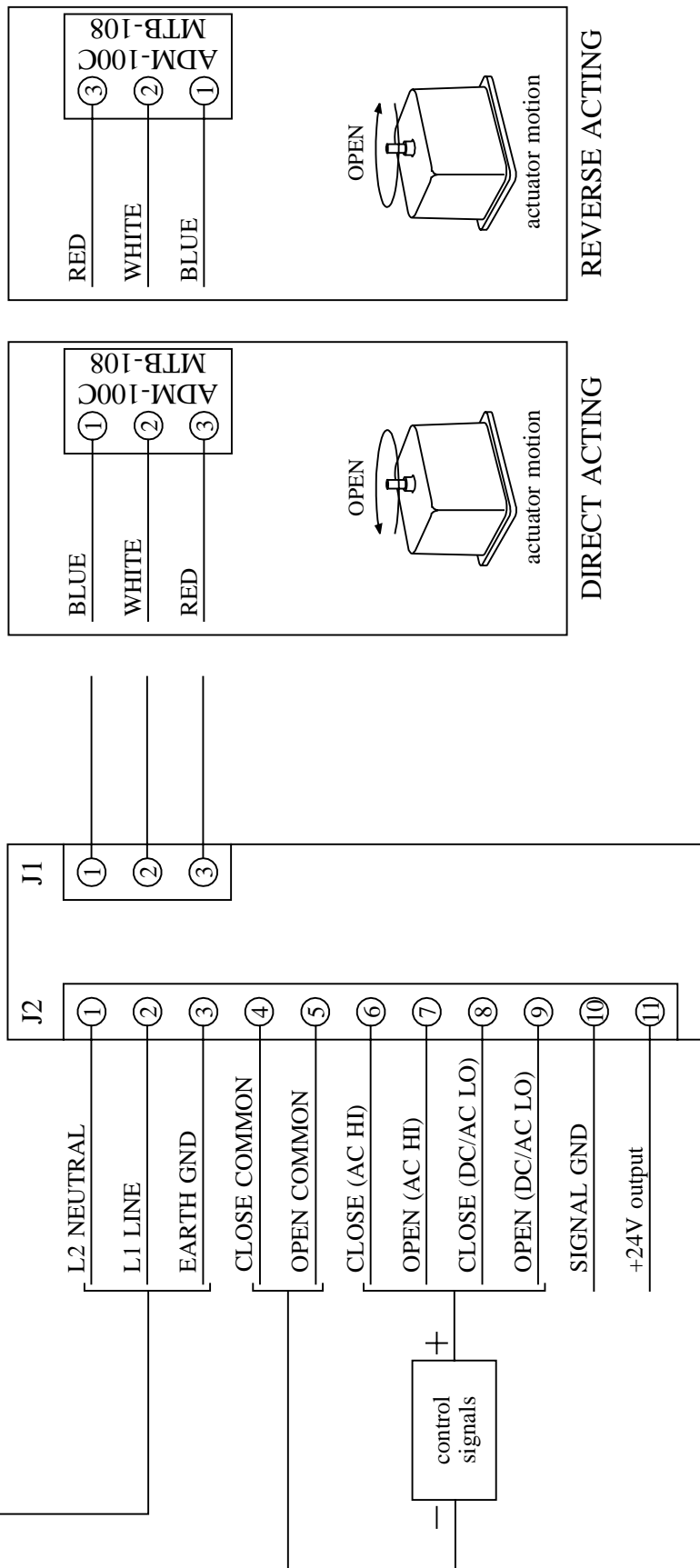
24VAC ON/OFF CONTROLLER

WIRING DIAGRAM

Noah NA015, 019, 028 Actuators

24VAC AMI-103B

NOTE: This application uses a 24VDC actuator with an ADM-100C AC to DC Module installed. See ADM-100C wiring.

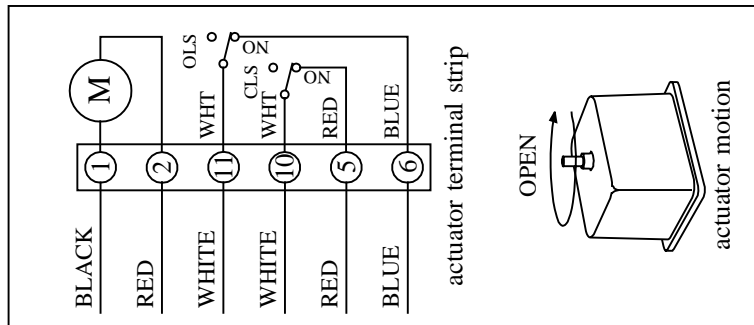
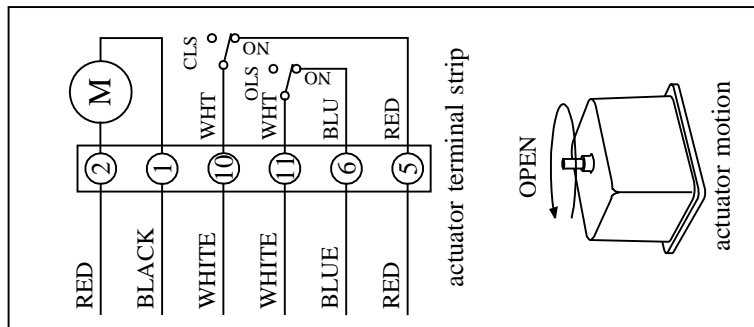
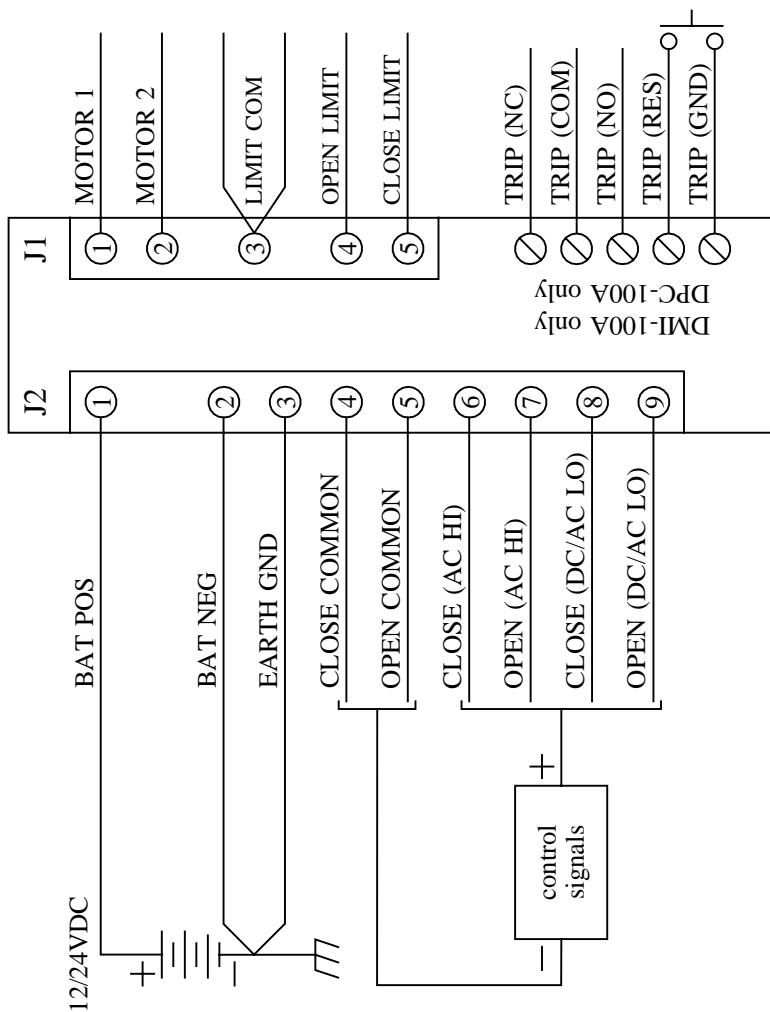


DC ON/OFF CONTROLLERS

WIRING DIAGRAM

Noah NA015, 019, 028 Actuators

DMI-100 / DMI-100A
DPC-100 / DPC-100A

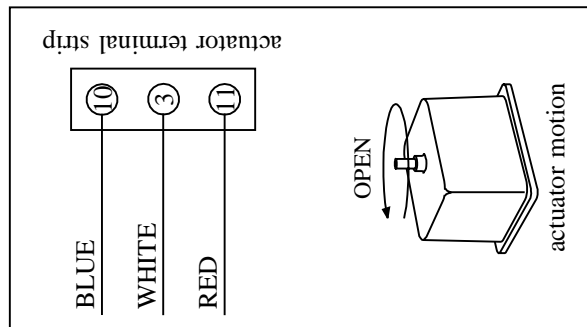
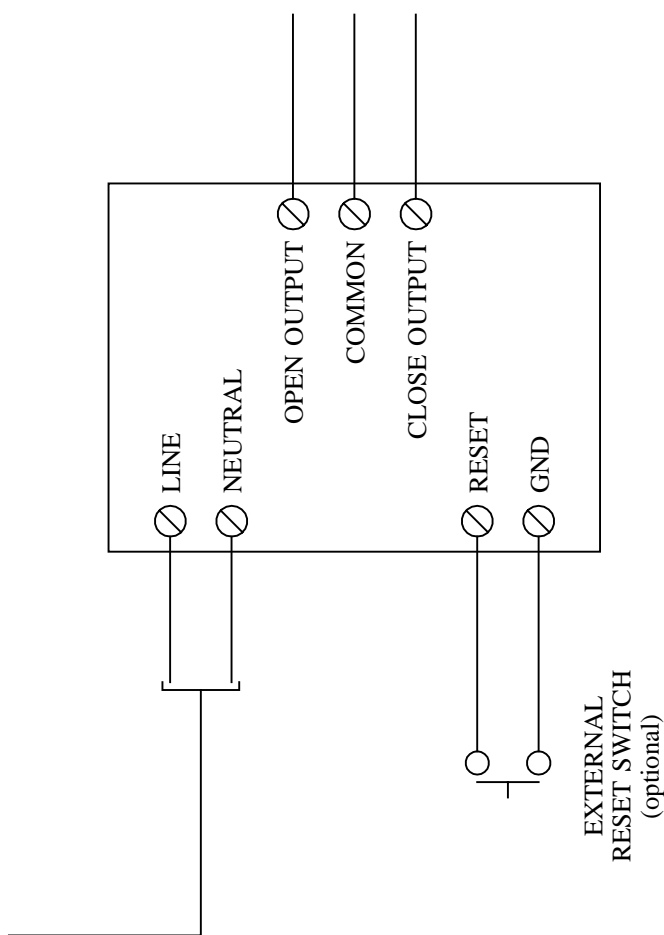


AC SEQUENCE TIMERS

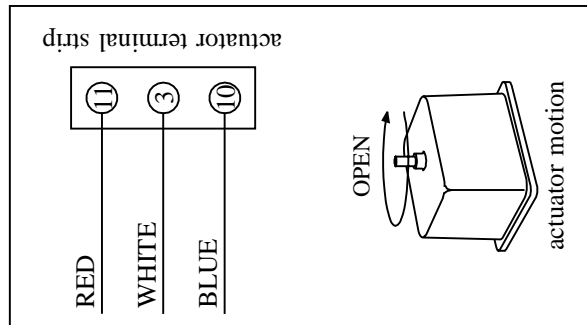
WIRING DIAGRAM

Noah NA015, 019, 028 Actuators

117VAC AST-100
234VAC AST-100A



DIRECT ACTING



REVERSE ACTING