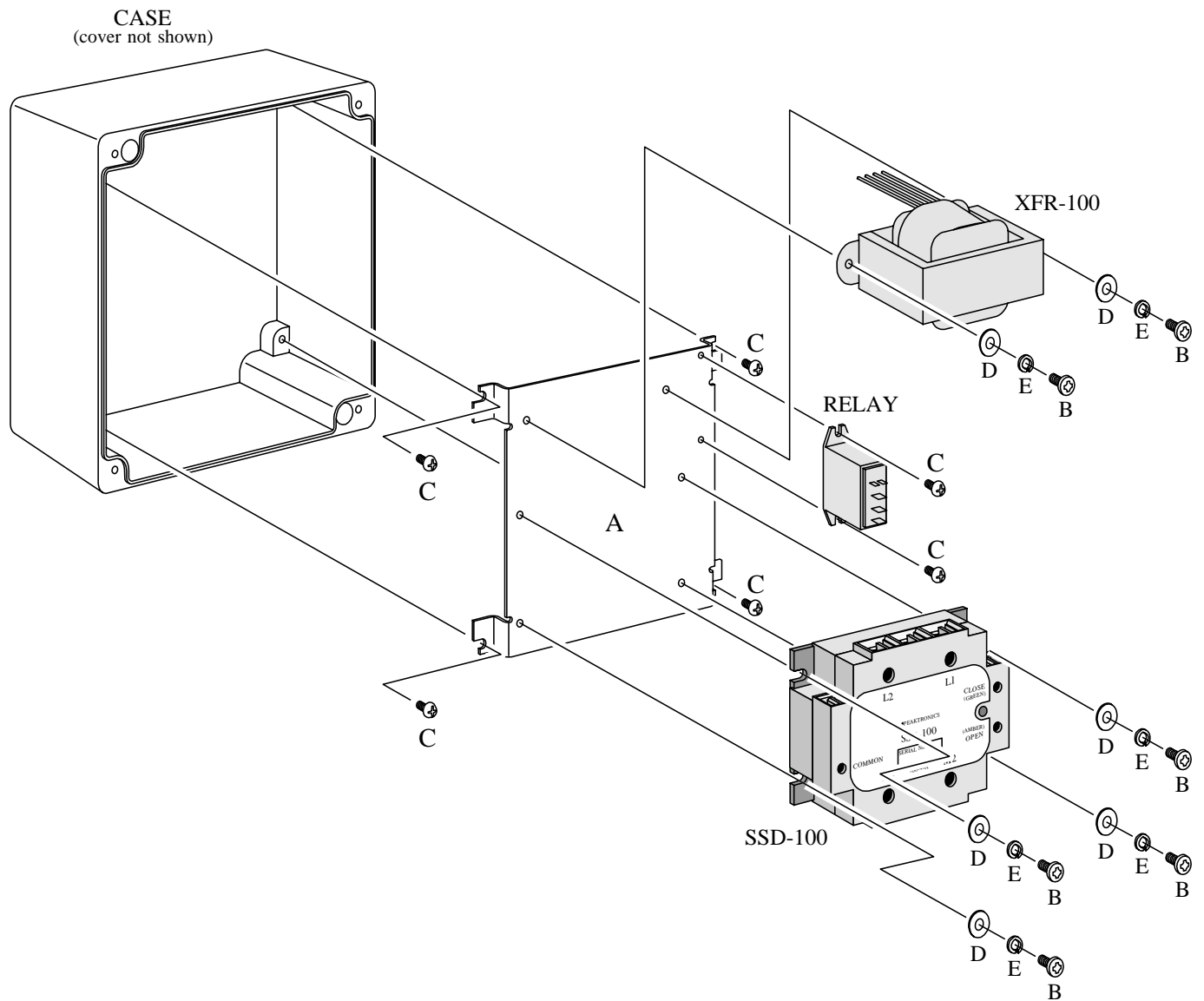
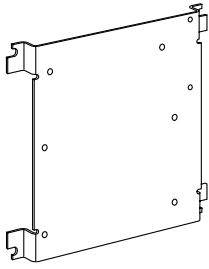


The Peaktronics EXE-101 NEMA 4 rated External Enclosure provides an easy way to add Peaktronics 3-phase driver components to 3-phase actuators. The package comes with a subpanel and hardware for mounting an SSD-100 3-phase Solid State Driver, an XFR-100 Actuator Controls Transformer, and an accessory relay (see below).

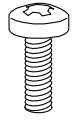
#### ASSEMBLY DIAGRAM



## PACKAGE CONTENTS



A



B



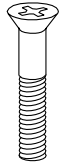
C



D



E



F

ITEM	QTY	DESCRIPTION
A	1	subpanel
B	6	#8-32 x 0.375" pan head screw
C	6	#6-32 x 0.312" self-tapping pan head screw
D	6	#8 flat washer
E	6	#8 split ring lockwasher
F	4	cover screws

## OUTLINE

